



PRODUCT CATALOG



1542 INDUSTRIAL PARK ST. ● COVINA, CA 91722-3417 ● FAX: (626) 966-4071 ● (626) 967-4167

Web: www.azusaeng.com ● E-Mail: sales@azusaeng.com



Our catalog is high quality because . . .

We are proud of our high quality products and want our catalog to reflect that quality. Our aim is to assist our dealers and distributors with an easy-to-use format plus a method to present our products to their customers. The catalog is designed to provide you with a fast, effective "clip-art" source to scan or reproduce for your own catalog, a quick ad or a special you may want to run. Our use of quality, glossy stock makes it easier to accomplish all of these secondary uses. Contact us for most any digital photo need.



We have chosen a loose-leaf binder system because . . .

We feel it is more versatile than a stapled or other permanently bound system. Loose-leaf binding provides customers easy access to individual pages without destroying the binding. It also allows us, here at Azusa, to update the catalog by simply sending out replacement pages with new products. As a result, you will have current information on an ongoing basis without having to wait for a new catalog printing.



Keeping up with the latest technology . . .

Our catalog is available in a variety of digital formats. While printed editions are less common now, our catalog is regularly updated in digital form and provided to you in PDF format, available on our web site 24 hours a day. Contact us with your digital needs including photos and/or layouts and we will do our best to accommodate you.

Our web site [www.azusaeng.com] features a great deal of useful information about Azusa and our products. In addition, if you or your customers ever need our catalog or our racewear brochure "right now," you can download these items 24 hours a day, 7 days a week.

For quick, efficient service, our business computer system enables us to provide you with immediate information regarding the status of your orders, product availability, purchase history and a variety of other helpful information.



Founded in 1960 with four products . . .

to serve the exploding karting market, we are approaching 60 years in business and are proud to be the industry's largest supplier of karting products. Now with thousands of products, Azusa has become a central inventory source providing a single, convenient source for many of your product needs.

The bulk of our products are manufactured by us, or for us, using our proprietary dies and designs. We are a direct importer of other items such as tires, tubes, shock absorbers, roller chain and bearings. In addition to our large inventory of fun kart components, we supply the kart racing market with a large line of products such as axles, sprockets and racing clutches and racing apparel.

Our products are regularly and ever-increasingly utilized in other fields, both recreational and industrial. With the many resources at our disposal, we welcome OEM inquiries about unique product needs which may differ from our standard product line.



We are easy to contact . . .

Business Hours:	Monday – Friday, 7:30 a.m. – 4:30 p.m. (Pacific Time)
Mailing Address:	1542 Industrial Park Street, Covina, CA 91722-3417
FAX Number:	(626) 966-4071 (Fax your orders 24 hours a day)
Phone Number:	(626) 967-4167 (leave message after close of business)
E-Mail Address:	sales@azusaeng.com (Email your orders 24 hours a day)

INDEX OF PRODUCTS

A

"A" Type Sprockets	27, 28, 29, 30, 31
Adapter Hubs	13
Aluminum Wheels	4, 5, 6
ATV Wheels	8
ATV Wheel Adapter Hubs	13
Axles	22, 23, 42
Aluminum	22
ATV	22, 23
Chrome-Moly Tubular	22
Flexpruf Steel	23
Kart	22, 23
Mini-Bike	42
Solid Steel	23
Axle Nuts	42, 45
Axle Sprockets	27, 28, 29, 30, 31
Azusalite Nylon Wheels	10, 11

B

"B" Type Sprockets	32
Bearings, Axle	24
Jackshaft	16, 38
Rod End	16, 17, 36
Wheel	9, 16
Tapered Roller	9, 13, 16
Types	9
Bearing Hangers	24, 37
Bearing Kits	24
Bolts, Assorted	45
Bolts w/Drilled Holes	12, 45
Bolt Kit for Spacers	4
Brakes, 4-1/2" Azusa	19
5" Azusa	20
6" Azusa	20
Band, 4", 4-1/2"	18
Posi-Stop Disc	21
Brake Cables & Fittings	40, 41
Brake Drums	18, 19, 20
Brake Drum & Sprocket Assy	19
Brake Drum Platform	10
Brake & Hub Assembly	19, 20
Brake Lever	41
Brake Line Fittings	21
Brake Line, Hydraulic	21
Brake Pedal	36
Brake Rods & Kits	36
Brake Shoes	19, 20, 21
Brake Spacer	20
Brass Fittings	21
Bucket Seats & Covers	46
Bushings, Assorted	42
Bushing, Nylon	33, 42

C

"C" Type Sprockets	32
Cables & Cable Housing	40, 41
Cable Fittings	40
Cap Assy for Steering Wheels	35
Cap Screws	45
Chain & Chain Parts	25
(See also <i>Roller Chain Brochure</i>)	
Chain Breakers	25
Chain Deflectors	25
Clamps, Cable & Conduit	40
Tube Gripping	40, 47
Clevises	36, 40
Clevis Pins	36
Clips, Conduit	40
Split Sprocket	27
Clothing	(see <i>Racewear Brochure</i>)
Clutches, Kart & Mini-Bike	44
Collars, Split Locking	38
w/Set Screw	35, 38
Compression Fittings, Brass	21

C

Conduit	40, 41
Clamps & Clips	40
Connecting Links, Chain	25
Control Cables	40, 41
Control Rod Anchors	36, 37
Controls, Throttle/Brake	36, 41
Cotter Pins	45

D

Disc Brake, Posi Stop Mech.	21
Drums, Brake	18, 19, 20
Drum & Hub Assemblies	18, 19, 20
Drum & Sprocket Assemblies	8, 19

E

Engine Mounting Plates	39
Engine Sprockets	28, 30, 32

F

Fenders	42
Fender Washers	39, 45
Fittings, Brass	21
Cable & Conduit	40
Fuel Line & Tank	39
Flangettes, Bearing	24, 38
Foot Pedals	36
Foot Pegs	47
Forks, Mini-Bike	48
Frames, Kart	49
Mini-Bike	48
Fuel Line	39

G

Go Kart, Components List	49
Frames	49
Kits	50
Seats	46
Gloves, Racing	(see <i>Racewear Broch.</i>)
Grips, Throttle & Dummy	41
Grommets, Rubber	39, 45

H

Hardware, Assorted	45
Helmet Cushion	(see <i>Racewear Broch.</i>)
Hex Nuts, Assorted	45
Hex Nuts, Slotted	12, 45
Housing, Cable	40
Hubs, "A" Sprocket	26, 28
ATV Wheel Adapter	13
Engine	28
Live Axle	13, 26, 28
Mini	18, 26
Steel	13, 26, 28
Steering Shaft	35
Uni-	26
Vari-	26
Hydraulic Brake Line & Fittings	21
Hydraulic Shock Absorbers	43

I

Idler/Tensioner Sprockets	31
Inner Tubes	14

J

Jackets	(see <i>Racewear Broch.</i>)
Jackshafts & Kits	38
Jackshaft Sprockets	32, 38
Jamnuts	16, 36, 42, 45

K

Kart, Components List	49
Frames	49
Kits	50
Seats	46
Keys & Keystock	22
Kickstand	42

K

Kill Button Switch	35
Kits, Kart & Mini-Bike	50

L

Levers, Brake	41
Live Axles	22, 23
Live Axle Bearing Kits	24
Live Axle Hubs	13, 26, 28
Locking Collars	35, 38
Locknuts, Assorted	45
Lug Nuts	12, 45

M

Mini Bike	
Axles	42
Components List	48
Forks & Frames	48
Kits	50
Seats	47
Shock Absorbers	43
Mini Hub	18, 46
Motorcycle Sprockets	30, 31
Mount, Swing	37, 38
Mounting Plates, Engine	37, 39

N

Neck Collars	(see <i>Racewear Broch.</i>)
Nuts, Assorted	45
Nylon Insert Bushings	35, 42
Nylon "Azusalite" Wheels	10, 11

O

Offset Links, Chain	25
---------------------	----

P

Pants	(see <i>Racewear Broch.</i>)
Pedals, Brake & Throttle	36
Pitman Arms	35, 37

Q

Quarter Midget Sprockets	30
--------------------------	----

R

Racewear	(see <i>Racewear Broch.</i>)
Ribtect Products	46
Rod Ends	16, 17, 36
Rods, Brake & Throttle	36
Tie Rods	17
Roller Chain	25
(See also: <i>Roller Chain Broch.</i>)	
Rubber Grommet Kit	39

S

Safety Nuts & Bolts	12, 45
Screws, Assorted	45
Seats, Kart	46
Mini-Bike	47
Seat Covers, Kart	46
Set Screws	45
Shafts, Steering	35
Shock Absorbers	43
Shoes, Kart	(see <i>Racewear Broch.</i>)
Slotted Nuts	12, 45
Snap Rings	35, 45
Socket Head Cap Screws	45
Spacers, Assorted	42
Brake	20
Spindle, Nylon	33
Wheel	4
Spindle Brackets	33, 37
Spindles, Kits & Components	33, 37
Split Locking Collars	38
Springs, Compression	36, 40
Brake	19, 20
Sprocket & Drum Assys	19
Sprocket Guards	27

S

Sprocket Holder, Heavy Duty	28
Sprocket Hub, Steel	26, 28
Sprockets:	
"A" Type	27-31
"B" Type	32
"C" Type	32
Aluminum	26-31
Tru-A-Line, #35	26, 27
Tuf-N-Tru, #35	27
Tru-N-Fine, #219	27
Blank	31
Heavy Duty	28-30
Idler/Tensioner	31
Jumbo XNT	27
Mini Aluminum	26
Motorcycle	31
Quarter Midget	30
Shifter	30
Specialty	30
Stamped Steel	29
Steel Wheels	7, 8
Steering Shaft & Hub Assy/Kits	35
Steering Wheels	
Butterfly	34
Round	34
Steering Wheel Cap Assembly	35
Suits	(see <i>Racewear Broch.</i>)
Swing Mount Kit	38
Switch, Kill Button	35

T

"T" Fitting, Delrin®	39
Tank Fittings	39
Tapered Roller Bearings	13, 16
Throttle Controls	36, 41
Throttle Pedal	36
Throttle Rods & Kits	36
Tie Rods & Tie Rod Kits	17
Tire Mounting Safety	15
Tires	14, 15
Ribbed & Sawtooth	15
Slicks & Turf Saver	14
Studded, Knobby & Universal	15
Tire Tread Patterns	9
Trailer Wheels	8
Twist Grip Assemblies	41
Tubes, Inner	14

U

Uni-Hub	26
---------	----

V

Valves, Fuel	39
Vari-Hub & Components	26

W

Washers	39, 45
Weldments	37
Wheels	
Aluminum	4, 5, 6
ATV	8
Azusalite Nylon	10, 11
Steel	7, 8
Trailer	8
Wheel Bearings	9, 16
Types	9
Wheel/Drum/Spkt Assemblies	8
Wheel Hubs	13
Wheel Spacers & Bolt Kit	4
Wheel Specifications	12
Wheel Weights	5

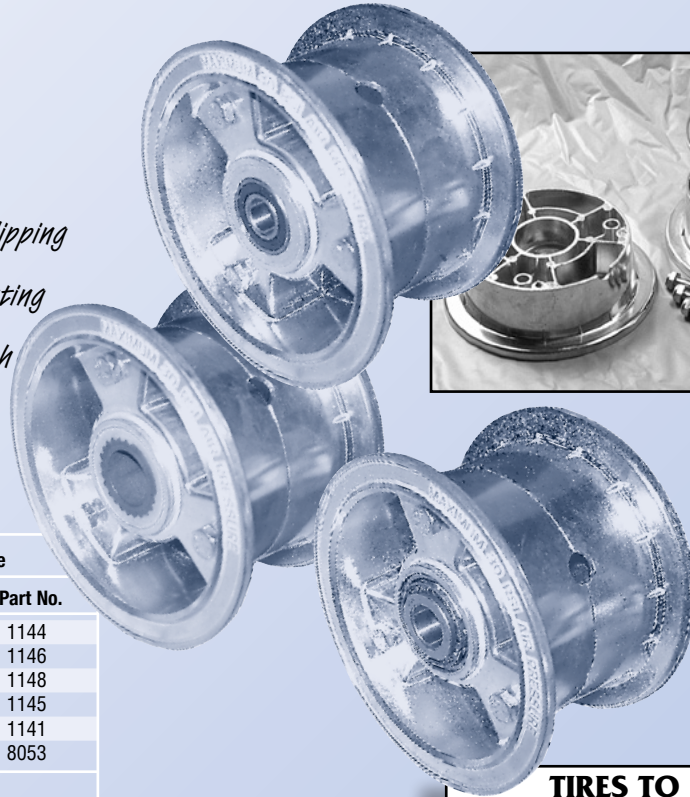
X, Y & Z

XNT "Jumbo" Sprockets	27
"Y" Fitting, Delrin®	39
Zytel® Nylon Wheels	10, 11

ALUMINUM Alloy Wheels 5 inch

AZUSA'S FIVE INCH "TRI-STAR" ALUMINUM WHEELS

- Bead-Biting Edges Prevent Slipping*
- Split Rim for Easy Tire Mounting*
- Beautiful Ball-Burnished Finish*
- 3.75" Bolt Circle*



5" ALUMINUM TRI STAR WHEELS - 3" Wide	
BALL BEARING WHEEL	Part No.
With 5/8" ID Precision Ball Bearings	1144
With 5/8" ID Standard Ball Bearings	1146
With 3/4" ID Standard Ball Bearings	1148
Two Halves w/Nuts & Bolts Only	1145
With 3/4" ID Sealed Ball Bearings	1141
One Half Only	8053
TAPERED ROLLER BEARING WHEEL	
With 5/8" ID Sealed Tapered Roller Bearing	1135
With 3/4" ID Sealed Tapered Roller Bearing	1136
With 3/4" ID Tapered Roller Bearing*	1137
With 5/8" ID Tapered Roller Bearing*	1138
With Races, Nuts & Bolts Only	1139
Two Halves w/Nuts & Bolts Only	1142
One Half Only	8052
*Dust shields provided	
LIVE AXLE WHEEL	
With Steel Insert-1" to 3/4" Step	1147
Half w/Steel Insert 1" ID, 1/4" Keyway	8054
With (2) 8054 Halves-Complete	1149
Half with 3/4" Bore	8052

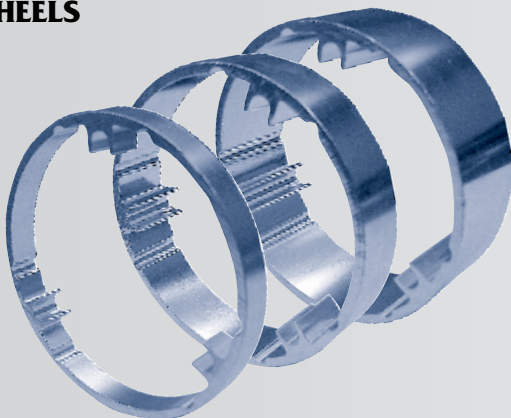
See pages 14 & 15
for Tire & Tube Part
Numbers

TIRES TO FIT 5" TRI-STAR WHEELS

10-450 x 5	Regular Slick
340/300 x 5	Sawtooth Narrow Slick Regular Slick
410/350 x 5	Sawtooth Studded Regular Slick Universal
11-360 x 5	Heavy Duty Slick
11-400 x 5	Ribbed Turf Regular Slick
12-400 x 5	Heavy Duty Slick

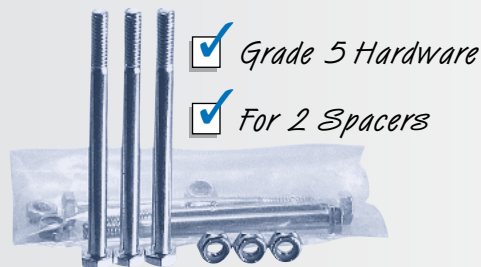
See page 12 for Complete
Wheel Dimensions

WHEEL SPACERS FOR 5" ALUMINUM WHEELS



Wheel Spacer, 1/2" Wide	1158
Wheel Spacer, 1" Wide	1159
Wheel Spacer, 1-1/2" Wide	1160
Wheel Spacer, 2" Wide	1161

SPACER BOLT & NUT KITS

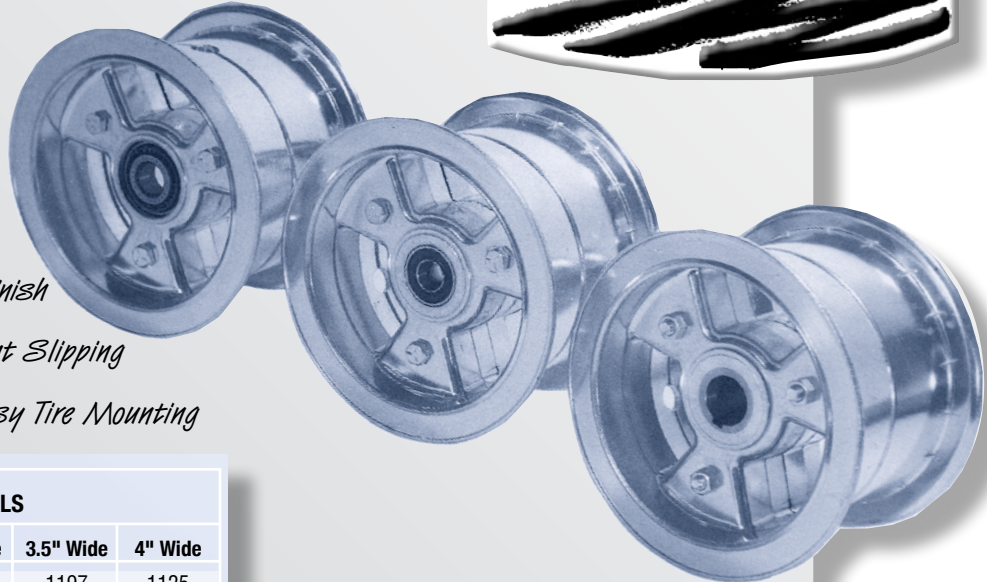


Grade 5 Hardware

For 2 Spacers

Bolt Kit for 1/2" Spacers	1162
Bolt Kit for 1" Spacers	1163
Bolt Kit for 1-1/2" Spacers	1164
Bolt Kit for 2" Spacers	1165

AZUSA'S SIX INCH "TRI-STAR" ALUMINUM WHEELS



- 3.75" Bolt Circle
- Three Widths Available
- Beautiful Ball-Burnished Finish
- Bead Biting Edges Prevent Slipping
- Split-Rim Design for Easy Tire Mounting

6" ALUMINUM TRI STAR WHEELS

BALL BEARING WHEELS	3" Wide	3.5" Wide	4" Wide
With 5/8" ID Precision Ball Bearings	1193	1197	1125
With 5/8" ID Standard Ball Bearings	1194	1198	1126
With 3/4" ID Standard Ball Bearings	1195	1199	1127
With 3/4" ID Sealed Ball Bearings	1132	1133	1122
Two Halves with Nuts & Bolts Only	1192	1196	1124
One Half Only - 1-1/2" Wide	8001	—	—
One Half Only - 2" Wide	—	—	8014
TAPERED ROLLER BEARING WHEELS (TRB)			4" Wide
With 5/8" ID Sealed Tapered Roller Bearing			1104
With 3/4" ID Sealed Tapered Roller Bearing			1105
With 3/4" ID Tapered Roller Bearing*			1106
With 5/8" ID Tapered Roller Bearing*			1107
With Races, Nuts & Bolts Only			1108
Two Halves with Nuts & Bolts Only			1123
One Half Only			8011
*Dust shields provided			
LIVE AXLE WHEELS			4" Wide
With Steel Insert - 1" to 3/4" Step			1117
Half with Steel Insert 1" ID, 1/4" Keyway			8009
Half with 3/4" Bore			8011



6" x 3"

6" x 3-1/2"

6" x 4"

See page 12 for Complete Wheel Dimensions

TIRES TO FIT 6" TRI-STAR WHEELS

3" & 3-1/2" WIDE "TRI STAR" WHEEL		4" WIDE "TRI STAR" WHEEL	
410/350 x 6	Sawtooth Studded	410/350 x 6	Sawtooth Studded
	Regular Slick		Regular Slick
13-400 x 6	Universal Scooter	530/450 x 6	Universal Scooter
	Ribbed Heavy Duty Slick		Sawtooth Studded Universal
See pages 14 & 15 for Tire & Tube Part Numbers		12-600 x 6	Regular Slick
		13-400 x 6	Ribbed Heavy Duty Slick
		13-500 x 6	Ribbed Turf Slick
		13-650 x 6	Ribbed Turf Slick
		15-600 x 6	Ribbed Turf

AZUSA WHEEL WEIGHTS

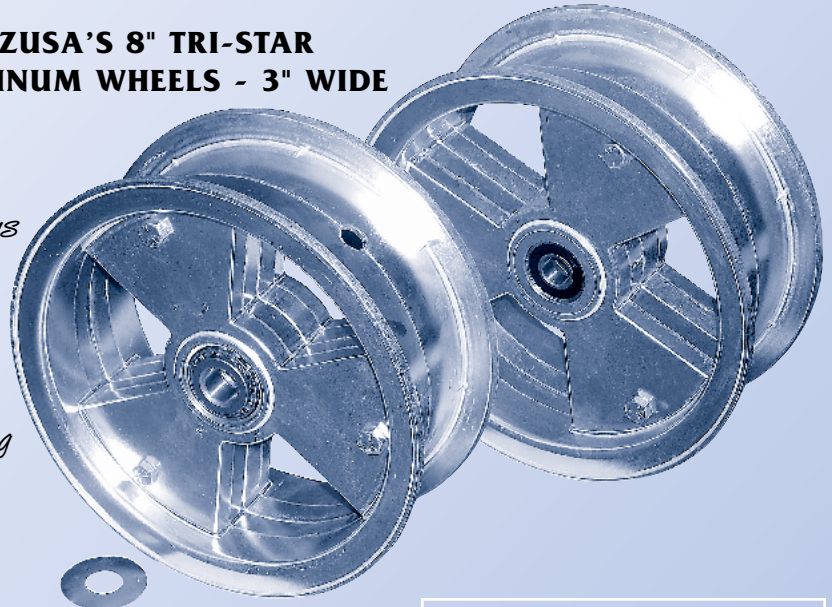


- Self bonding, Indy Car Tested
- 24 Weights, 4 Bars Per Pack
- 1/4 Ounce Segments
- Buy Bulk and Save

1 Ft. - 1/4 ounce weights - Packaged	1820
1 Ft. - 1/4 ounce weights - Bulk (uncut)	1819



AZUSA'S 8" TRI-STAR ALUMINUM WHEELS - 3" WIDE



- Attach Azusa 4 1/2" Brake Drums
- Ball & Roller Bearing Styles
- Bright Ball-Burnished Finish
- Split-Rim for Easy Tire Mounting

TIRES TO FIT 8" TRI-STAR WHEELS	
410/350 x 8	Ribbed
480/400 x 8	Ribbed
	Sawtooth
	Studded Slick
14-300 x 8	Ribbed

8" BALL BEARING WHEELS	
With 5/8" Precision Ball Bearing	1152
With 5/8" Standard Ball Bearing	1154
With 3/4" Sealed Ball Bearing	1151
With 3/4" Standard Ball Bearing	1153
With No Ball Bearing	1150
One Half Only - Ball Bearing Style	8023

8" TAPERED ROLLER BEARING WHEELS	
With 5/8" Sealed Tapered Roller Bearing*	1112
With 5/8" Tapered Roller Bearing*	1114
With 3/4" Sealed Tapered Roller Bearing	1113
With 3/4" Tapered Roller Bearing	1115
4" Wide w/Races for Tapered Roller Bearing	1111
Two Halves, Nuts & Bolts Only	1110
One-Half Only, Tapered Roller Bearing Style	8024

See pages 14 & 15 for Tire & Tube Part Nos.

See page 12 for Complete Wheel Dimensions

*Dust Shield Provided

THE 6" "ASTRO"



- 2.911 Bolt Circle

6" "ASTRO" WHEEL (3" WIDE)	
With 5/8" Precision Ball Bearings	1128
With 5/8" Standard Ball Bearings	1129
With 3/4" Sealed Ball Bearings	1121
With 3/4" Standard Ball Bearings	1130
Two Halves w/Nuts & Bolts Only	1131
One Wheel Half Only	8003

See page 12 for Complete Wheel Dimensions

CUSTOM ALUMINUM WHEELS

- Burnished Aluminum Finish
- Choice of Bearing Styles
- Split-Rim Assembly

TIRES TO FIT 6" ASTRO WHEELS

410/350 x 6	Sawtooth Studded Regular Slick Universal Scooter
13-400 x 6	Ribbed Heavy Duty Slick

TIRES TO FIT 8" SPINNER WHEELS

410/350 x 8	Ribbed
480/400 x 8	Sawtooth
	Studded
	Ribbed Slick
14-300 x 8	Ribbed

See pages 14 & 15 for Tire & Tube Part Nos.

THE 8" "SPINNER"



8" "SPINNER" WHEEL (3" WIDE)

With 1/2" Precision Ball Bearings	1174
With 5/8" Precision Ball Bearings	1175
With 5/8" Standard Ball Bearings	1176
With 3/4" Sealed Ball Bearings	1179
With 3/4" Standard Ball Bearings	1177
Two Halves w/Nuts & Bolts Only	1178
One Half Only - Side 1*	8021
One Half Only - Side 2*	8020

*part no. is stamped inside each wheel half

See page 12 for Complete Wheel Dimensions

MULTI-PURPOSE STEEL WHEELS

- ☑ Three Sizes: 4", 5" & 6" O.D.
- ☑ 64 mm or 90 mm Bolt Circle
- ☑ Two Hub Types:
 - ... Live Axle with Keyway
 - ... Ball Bearing
- ☑ Split-Rim for Easy Tire Mounting
- ☑ Fits Most all 4", 5" & 6" Tires



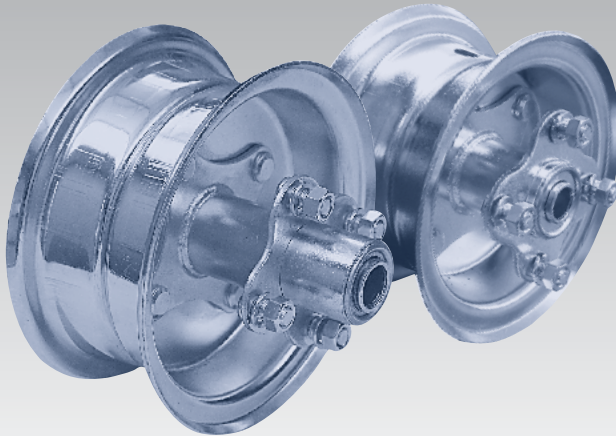
4", 5" & 6" WHEEL DESCRIPTIONS	PART NO.
4" Steel Wheel, 2 Halves & 1" Live Axle Hub	1030
4" Steel Wheel, 2 Halves & 3/4" Ball Bearing Hub	1031
5" Steel Wheel, 2 Halves & 3/4" Live Axle Hub	1021
5" Steel Wheel, 2 Halves & 1" Live Axle Hub	1032
5" Steel Wheel, 2 Halves & 3/4" Ball Bearing Hub	1033
5" Steel Wheel, 2 Halves & 5/8" Ball Bearing Hub, Centered	1036
6" Steel Wheel, 2 Halves & 3/4" Live Axle Hub	1020
6" Steel Wheel, 2 Halves & 1" Live Axle Hub	1034
6" Steel Wheel, 2 Halves & 3/4" Ball Bearing Hub	1035
6" Steel Wheel, 2 Halves & 5/8" Ball Bearing Hub, Centered	1081

**SEPARATE
HUBS & HALVES
LISTED BELOW**

See pages 14 & 15 for Tire & Tube Part Nos.

See page 12 for Complete Wheel Dimensions

MULTI-PURPOSE STEEL WHEELS WITH FLANGED HUBS



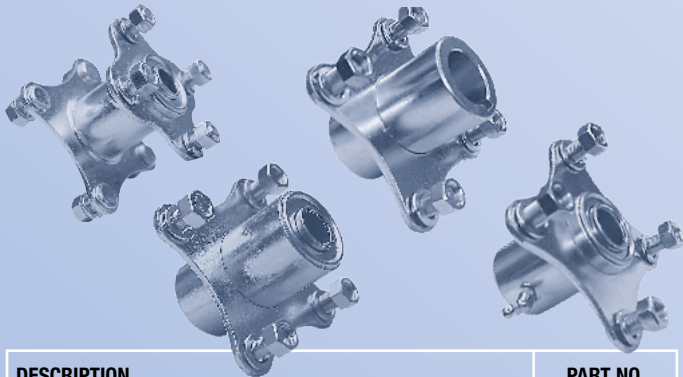
- ☑ 5" & 6" O.D.
- ☑ 5/8" Ball Bearing, 2-7/8" Bolt Circle
- ☑ Split-Rim for Easy Tire Mounting
- ☑ Fits Most All 5" & 6" Tire Styles

5" & 6" WHEEL DESCRIPTIONS	PART NO.
5" Steel Wheel, 2 halves & 5/8" BB Flanged Hub w/Bolts	1027
6" Steel Wheel, 2 halves & 5/8" BB Flanged Hub w/Bolts	1037
6" Steel Wheel, 2 halves & 5/8" BB Flanged Hub (Extended) w/Bolts	1038
6" Steel Wheel, 2 halves & 5/8" BB Flanged Hub w/Bolts, WIDE	1039

See page 12 for Complete Wheel Dimensions

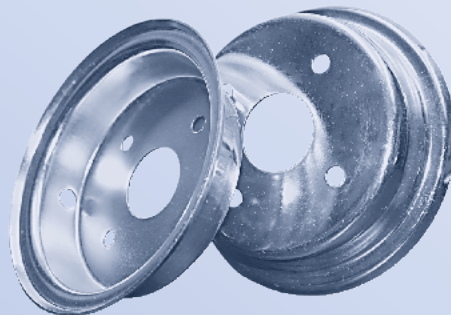
See pages 14 & 15 for Tire & Tube Part Nos.

MULTI-PURPOSE STEEL WHEEL HUBS



DESCRIPTION	PART NO.
Hub, 4" Steel Wheel, 3/4" Ball Bearing	2273
Hub, 4" Steel Wheel, Live Axle, 1" Bore, 1/4" Keyway	2274
Hub, 5" & 6" Steel Wheels, 3/4" Ball Bearing	2275
Hub, 5" & 6" Steel Wheels, 5/8" Ball Bearing	2477
Hub, 5" & 6" Steel Wheels, Live Axle, 1" Bore, 1/4" Keyway	2276
Hub, 5" & 6" Steel Wheels, 5/8" Ball Bearing, with Flange	2277

MULTI-PURPOSE WHEEL HALVES



DESCRIPTION	PART NO.
5" Steel Wheel, 2 Halves (No Hub)	8002
6" Steel Wheel, 2 Halves (No Hub)	8004
6" Steel Wheel, Wide, 2 Halves (No Hub)	8005

STEEL Wheels

THE AZUSA "TEN-INCHER" STEEL WHEEL



See page 12 for Complete Wheel Dimensions

- For 350x10 & 250x10 Tires
- Chrome Plating
- Split-Rim for Easy Tire Mounting



DESCRIPTION	Plated Less Bearings	Plated, with Precision Bearings
Basic Wheel	10131	10151
Wheel & Brake Drum	10132	10152
Wheel & Brake Flanged Drum	10133	10153
Wheel & #35* Sprocket & Drum - 60 tooth	10134	10154
Wheel & #35* Sprocket & Drum - 72 tooth	10135	10155

*We can also supply sprockets for #40/41 chain, 40 through 72 tooth.

"TEN-INCHER" STEEL WHEEL - BLACK OXIDE FINISH



- For 350x10 & 250x10 Tires
- Black Oxide Finish
- Split-Rim for Easy Tire Mounting



See page 12 for Complete Wheel Dimensions

DESCRIPTION	Black Oxide Less Bearings	Black Oxide, with Precision Bearings
Basic Wheel	10101	10121
Wheel w/Brake Drum	10102	10122
Wheel w/Brake Flanged Drum	10103	10123
Wheel w/#35* Sprocket & Drum - 60 tooth	10104	10124
Wheel w/#35* Sprocket & Drum - 72 tooth	10105	10125

*We can also supply sprockets for #40/41 chain, 40 through 72 tooth.

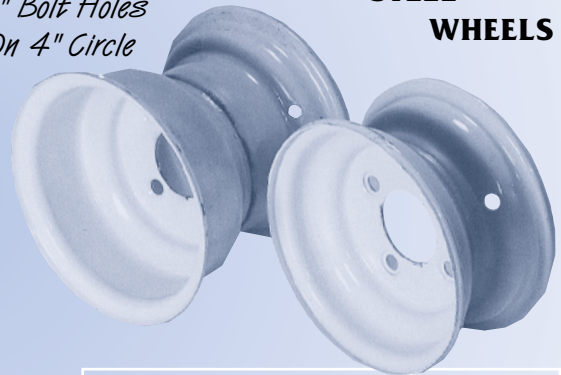
STEEL BEARING WHEELS



- One Piece, 2-3/4" Bore
- Four 1/2" Bolt Holes On 4" Circle
- 3/4" Ball Bearing
- One Piece, Bearing-Hub
- White Gloss-Enamel Finish
- Welded Hubs Fit 1-3/8" OD Bearings

DIAMETER	WIDTH	HUB LENGTH	PART
4"	2.5"	3"	1022
6"	3.5"	3"	1025
6"	4.5"	3"	1026
8"	3.5"	4"	1028

ATV & TRAILER STEEL WHEELS



WHEEL SIZE	PART NO.
8" Diameter x 3-3/4" Wide	1010
8" Diameter x 5-3/8" Wide	1004
8" Diameter x 7" Wide	1005
8" Diameter x 9" Wide	1006

TIRE TREAD PATTERNS



See page 14-15 for All Tire Part Numbers and Descriptions

WHEEL BEARING TYPES

1-3/8" OD WHEEL BEARINGS - PRECISION, STANDARD & GROUND SEALED

Precision Sealed Bearings are available with a 5/8" bore. With double seals, the precision ground and hardened components are good for high speeds and heavy duty applications.

Ground Sealed Bearings have a machined housing and a flanged outer race. Their unique inner race construction accommodates a 3/4" bore and 1-3/8" OD unavailable in a precision bearing.

Standard Bearings are available with 3/4", 5/8" and 1/2" bores. They have an integral metal seal within a stamped steel housing and are used for moderate speeds with light to medium loads.

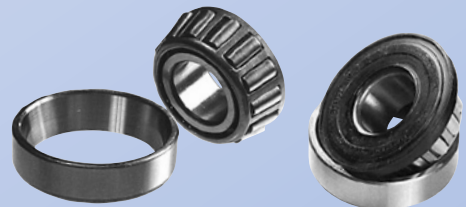
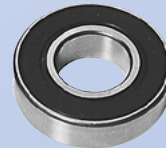
1-5/8" OD WHEEL BEARING - PRECISION

This bearing has an ID of 3/4", is sealed, has a hardened and ground raceway, and is an excellent alternative to the more expensive sealed Tapered Roller Bearing. Same top quality as our 5/8" ID precision bearing.

TAPERED ROLLER BEARINGS (TRB) SEALED OR WITH DUST SHIELD

Tapered Roller Bearings, used for more strenuous applications, employ a Cup (Race) pressed into the wheel, a Cone (Bearing) and, for the non-sealed type only, a Dust Shield. TRBs have a bore of 3/4" but can be reduced to 5/8".

The Sealed TRB provides protection from the elements over and above that offered by the non-sealed type with Dust Shield. When you purchase Azusa Wheels with a non-sealed bearing, Dust Shields are provided.



See page 16 for All Wheel Bearing Descriptions & Part Numbers



- Three Widths
- Live Axle Model
- 3.75" Bolt Circle

See page 12 for Complete Wheel Dimensions



5" AZUSALITE WHEELS

For 1-3/8" OD Ball Bearings	3" Wide	3-1/2" Wide	4" Wide
With 1/2" ID Prec Ball Bearings	1063	1046	1047
With 5/8" ID Prec Ball Bearings	1057	1061	1065
With 5/8" ID Std Ball Bearings	1058	1062	1066
With 3/4" ID Std Ball Bearings	1068	1069	1070
Two Halves w/Nuts & Bolts Only	1048	1049	1042
One Half Only w/Valve Hole	7909	7909 or 7913	7913
One Half Only w/o Valve Hole	7910	7910 or 7914	7914
For 1-5/8" OD Ball Bearings			
With 3/4" ID Prec Ball Bearings	1059	—	—
Two Halves w/Nuts & Bolts Only	1060	—	—
One Half Only w/Valve Hole	7911	—	—
One Half Only w/o Valve Hole	7912	—	—
For 1" Live Axles			
With Steel Insert - 1" to 3/4" Step	—	1064	1067
Half with Steel Insert 1" ID, 1/4" Keyway	—	—	7916
Half with 3/4" Bore & Valve Hole	7908	—	7915

What is Zytel® Nylon?

Zytel® is a name trademarked by Dupont Corporation for its series of nylon resins. Azusalite Wheels are molded from a glass-reinforced, alpha-crystalline, Nylon 6 resin, designed to provide an optimal combination of tensile, impact and flexural strengths. The resin is enhanced by carbon black for the best UV protection. The resulting Azusalite wheels are strong, resilient and durable.

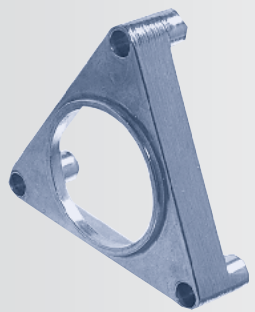
TIRES TO FIT 5" AZUSALITE WHEELS

TIRE SIZE	TREAD	3"	3.5"	4"
11-360 x 5	Heavy Duty Slick	✓		
340/300 x 5	Sawtooth	✓		
	Narrow Slick	✓		
	Regular Slick	✓	✓	
10-450 x 5	Regular Slick	✓	✓	✓
410/350 x 5	Sawtooth	✓	✓	✓
	Studded	✓	✓	✓
	Regular Slick	✓	✓	✓
	Universal	✓	✓	✓
11-400 x 5	Turf-Saver	✓	✓	✓
	Ribbed	✓	✓	✓
	Regular Slick	✓	✓	✓
12-400 x 5	Heavy Duty Slick	✓	✓	✓

See pages 14 & 15 for Tire & Tube Part Nos.

BRAKE DRUM PLATFORM FOR 5" AZUSALITE WHEELS

- 3.75" Bolt Circle
- 2.10" Ring Diameter
- Cast Aluminum
- 1" Platform Height



Brake Platform	2259
Platform w/Nuts & Bolts	2259A



4" AZUSALITE WHEELS

- Corrosion-Proof, Solvent Resistant
- Tough and Lightweight
- Split-Rim Design
- 2.92" Bolt Circle



See **page 12**
for Complete
Wheel Dimensions

4" AZUSALITE WHEELS

For 1-3/8" OD BALL BEARINGS	3" WIDE
With 1/2" Precision Ball Bearings	1051
With 1/2" Standard Ball Bearings	1055
With 5/8" Precision Ball Bearings	1053
With 5/8" Standard Ball Bearings	1054
With 3/4" Standard Ball Bearings	1041
With 3/4" Sealed Ball Bearings	1052
Two Halves w/Nuts & Bolts Only	1050
One Half Only	7900

TIRES FOR 4" AZUSALITE WHEELS

TIRE SIZE	TREAD
280/250 x 4	Sawtooth
9-350 x 4	Regular Slick
410/350 x 4	Sawtooth Studded
	Regular Slick Turf
	Universal
	Ribbed
10-300 x 4	Ribbed
300 x 4	Turf

See **pages 14 & 15** for Tire & Tube Part Nos.

6" AZUSALITE WHEELS

- 3.75" Bolt Circle
- Tough and Lightweight
- Split-Rim Design For Easy Mounting



6" AZUSALITE WHEELS

FOR 1-3/8" OD BALL BEARINGS	3" WIDE
With 1/2" ID Prec Ball Bearings	1071
With 5/8" ID Prec Ball Bearings	1072
With 5/8" ID Std Ball Bearings	1073
With 3/4" ID Std Ball Bearings	1078
Two Halves w/Nuts & Bolts Only	1075
One Half Only	7921
FOR 1-5/8" OD BALL BEARINGS	3" WIDE
With 3/4" ID Prec Ball Bearings	1077
Two Halves w/Nuts & Bolts Only	1075
One Half Only	7921

See **page 12** for Complete Wheel Dimensions

TIRES TO FIT 6" AZUSALITE WHEELS

TIRE SIZE	TREAD
410/350 x 6	Sawtooth Studded
	Regular Slick
	Universal
	Ribbed
13-400 x 6	Ribbed
13-500 x 6	Ribbed Turf
	Slick
530/450 x 6	Universal Studded

See **pages 14 & 15** for Tire & Tube Part Nos.



QUALITY LUG NUTS

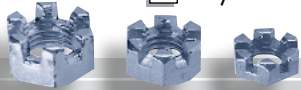
Zinc Plated



Lug Nuts 1/2-20, each 8532

SLOTTED HEX NUTS

Grade 5



SIZE	PART
1/4-28	8527
5/16-24	8535
3/8-24	8536
1/2-20	8528
5/8-18	8521
5/8-18 Thin	8518
3/4-16	8511

BOLTS WITH HOLES

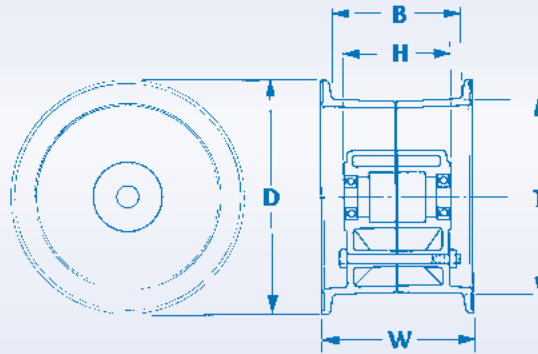
Grade 5

Hole Drilled 3/32" from End for Safety Wire or Cotter Pin



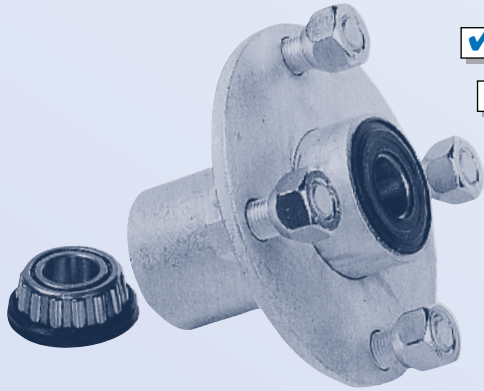
SIZE	PART
1/4-28 x 3/4	8412
1/4-28 x 7/8	8423
5/16-24 x 1-1/4	8414
5/16-24 x 2	8486
5/16-24 x 2-1/4	8485
5/16-24 x 3-1/2	8428
3/8-24 x 1-3/4	8481
3/8-24 x 2-1/4	8482
3/8-24 x 4	8473

	Tire Size	Bead Width	Maximum Width	Wheel Diameter	Hub Width	Weight (Nominal)
Aluminum Wheels	T	B	W	D	H	LBS.
5" TRI STAR						
For Ball Bearings (1-3/8" OD)	5"	3.12"	3.70"	6.00"	2.90"	2.4
For Live Axle	5"	3.12"	3.70"	6.00"	2.90"	2.4
For Tapered Roller Bearings	5"	3.12"	3.70"	6.00"	2.90"	2.4
6" TRI STAR						
For Ball Bearings (1-3/8" OD)	6"	2.75"	3.25"	7.12"	1.95"	2.1
For Ball Bearings (1-3/8" OD)	6"	3.37"	3.88"	7.12"	2.62"	2.6
For Ball Bearings (1-3/8" OD)	6"	4.00"	4.50"	7.12"	3.25"	3.2
For Live Axle	6"	4.00"	4.50"	7.12"	3.25"	3.7
For Tapered Roller Bearings	6"	4.00"	4.50"	7.12"	3.25"	3.6
6" "ASTRO"						
For Ball Bearings (1-3/8" OD)	6"	3.00"	3.50"	7.12"	3.00"	2.1
8" TRI STAR						
For Ball Bearings (1-3/8" OD)	8"	3.00"	3.62"	9.00"	2.50"	3.7
For Tapered Roller Bearings	8"	3.00"	3.62"	9.00"	2.50"	3.7
8" "SPINNER"						
For Ball Bearings (1-3/8" OD)	8"	3.00"	3.50"	9.00"	3.00"	2.5



	T	B	W	D	H	LBS.
Azusalite Wheels						
4" NYLON						
For Ball Bearings (1-3/8" OD)	4"	2.75"	3.25"	5.00"	1.50"	0.55
5" NYLON						
For Ball Bearings (1-3/8" OD)	5"	3.00"	3.40"	6.12"	1.50"	0.86
For Ball Bearings (1-3/8" OD)	5"	3.60"	4.00"	6.12"	1.50"	1.0
For Ball Bearings (1-3/8" OD)	5"	4.20"	4.60"	6.12"	1.50"	1.1
For Ball Bearings (1-5/8" OD)	5"	3.00"	3.40"	6.12"	1.75"	0.86
For Live Axle	5"	4.20"	4.60"	6.12"	2.10"	1.32
For Live Axle	5"	3.60"	4.10"	6.12"	1.95"	1.31
6" NYLON						
For Ball Bearings (1-3/8" OD)	6"	2.75"	3.25"	7.12"	2.00"	1.2
For Ball Bearings (1-5/8" OD)	6"	2.75"	3.25"	7.12"	3.25"	1.2
Steel Wheels						
4" MULTI-PURPOSE						
For Ball Bearings	4"	2.25"	2.75"	5.00"	2.85"	1.85
For Live Axle	4"	2.25"	2.75"	5.00"	2.75"	2.20
5" MULTI-PURPOSE						
For Ball Bearings	5"	2.625"	3.50"	6.30"	3.85"	2.95
For Live Axle	5"	2.625"	3.50"	6.30"	2.75"	3.35
With Flanged Hub	5"	2.625"	3.50"	6.30"	2.75"	3.44
6" MULTI-PURPOSE						
For Ball Bearings	4"	2.25"	3.25"	7.00"	3.60"	3.40
For Live Axle	4"	2.25"	3.25"	7.00"	2.75"	3.75
With Flanged Hub	6"	2.60"	3.25"	7.00"	2.75"	3.44
With Flanged Hub, Wide	6"	4.35"	4.875"	7.00"	3.50"	4.41
10" TEN-INCH						
For Ball Bearings (1-3/8" OD)	10"	2.25"	2.75"	11.00"	2.50"	5.2

PLATED STEEL ADAPTER HUBS...



- ✓ 1/2-20 x 1-1/4" Welded Studs
- ✓ 4" Bolt Circle
- ✓ Lug Nuts Included
- ✓ Bright Zinc Plated
- ✓ Bearing Hub, 3-5/8" Long

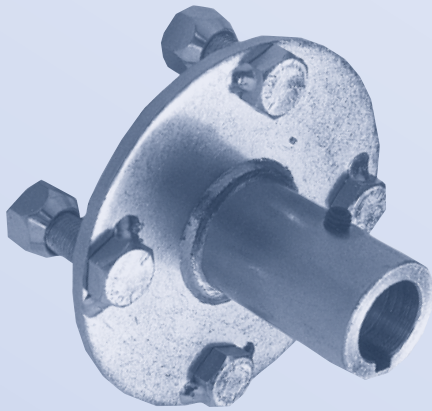
...With Tapered Roller Bearings

Adapter Hub with 5/8" ID TRB	2299
Adapter Hub with 3/4" ID TRB	2298
Adapter Hub, 5/8" Sealed TRB	2292
Adapter Hub, 3/4" Sealed TRB	2295
Adapter Hub, less Cup & Cone	2297



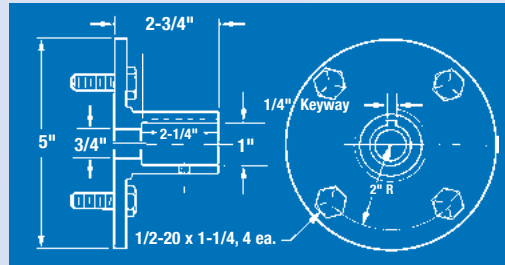
...With Sealed Precision Ball Bearings!

Adapter Hub with 3/4" ID Bearing 2296



...With Keyway For Live Axle*

Adapter Hub - 3/4" Live Axle (No Step)	2262
Adapter Hub - 1" Live Axle (Stepped to 3/4")	2282
Adapter Hub - 1" Live Axle (No Step)	2289

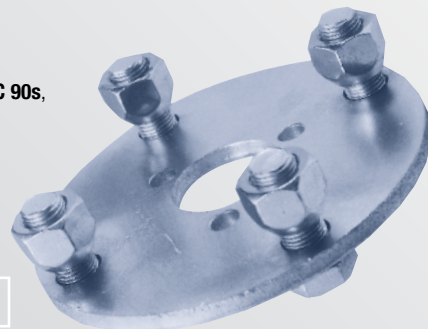


*Stepped to 3/4" Shown

Four Bolt Adapter Plate

Originally designed for use with **Honda ATC 90s**, this versatile adapter plate is suitable for a variety of applications. It has a 4-7/8" OD, a 1-5/16" bore, three 5/16" diameter bolt holes on a 1-3/4" bolt circle and comes with four 1/2-20 zinc plated lug nuts.

Four Bolt Adapter Plate 2283





TURF SAVER TIRES



SIZE	TIRE	PLY	WIDTH*	OD*	INNERTUBE
9-350 x 4	7053	4	3.5"	8.5"	7128
300 x 4	7072	4	3.0"	10.0"	7128
410/350 x 4	7057-2	2	3.5"	10.3"	7130
11-400 x 5	7047	4	4.0"	10.7"	7131
13-500 x 6	7049	4	4.4"	12.8"	7133
13-650 x 6	7052	4	6.0"	12.5"	7141
15-600 x 6	7048	4	6.1"	14.8"	7125
16-650 x 8	7015	4	6.4"	16.4"	7118
18-850 x 8	7026-2	2	8.0"	17.0"	7120
18-950 x 8	7028	4	9.0"	17.5"	7120

SLICKS

SIZE	TIRE	PLY	WIDTH*	OD*	INNERTUBE
8-300 x 4	7097	4	3.0"	7.8"	7128
9-350 x 4	7090	4	3.5"	8.0"	7128
410/350 x 4	7041	4	3.5"	10.5"	7130
10-450 x 5	7060	4	5.0"	9.5"	7139
11-360 x 5H	7094	4	3.6"	11.0"	7131
11-400 x 5	7006	4	4.0"	10.0"	7131
340/300 x 5N	7045	4	2.5"	10.8"	7131
340/300 x 5	7042	4	3.5"	10.8"	7131
410/350 x 5	7043	4	3.5"	11.0"	7132
12-400 x 5H	7095	4	4.0"	12.0"	7132
11-600 x 5	7069	4	5.5"	10.75"	7116
11-600 x 5	7093	4	6.25"	10.2"	7116
11-600 x 5	7061	4	6.25"	10.2"	7116
11-710 x 5	7062	4	8.0"	10.2"	7116
12-600 x 6	7017-2	2	6.0"	11.8"	7127
410/350 x 6	7044	4	3.5"	11.5"	7133
13-400 x 6H	7096	4	4.0"	12.0"	7133
13-500 x 6	7065	4	4.4"	11.5"	7133
13-650 x 6	7066	4	6.0"	11.5"	7141
480/400 x 8R	7004-2	2	4.6"	16.3"	7121
18-950 x 8	7019	4	9.5"	15.5"	7120
21-12 x 8	7001	2	11.0"	21.0"	7120

N - Narrow **H** - Heavy Duty (Concession Kart) **R** - Round Profile



RAIN SLICKS



SIZE	TIRE	PLY	WIDTH*	OD*	INNERTUBE
10-450 x 5	7098	4	5.0"	9.5"	7139
11-600 x 5	7099	4	6.25"	10.2"	7116

* Tire Width & OD are nominal.

INNER TUBES



**indicates straight stem. All other tube stems are bent.



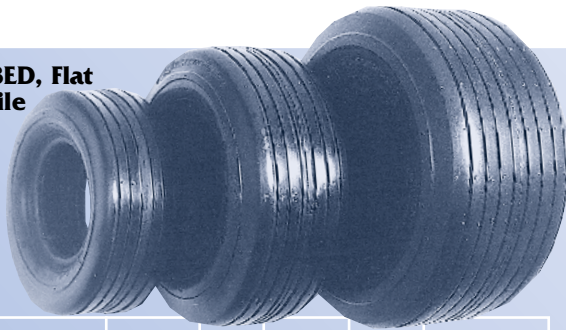
SIZE	PART
200 x 50	7143
6 x 1.25	7152
8 x 1.25	7150
10 x 2**	7151
280/250 x 4	7129
300 x 4	7128
410/350 x 4	7130
10-450 x 5	7139
340/300 x 5	7131
410/350 x 5	7132
11-400 x 5	7135

SIZE	PART
11-600 x 5	7116
410/350 x 6	7133
410/350 x 6**	7144
12-600 x 6	7127
13-500 x 6	7136
13-500 x 6**	7122
13-650 x 6	7141
530/450 x 6	7134
15-600 x 6	7125
15-600 x 6**	7125-S
145/70 x 6	7140

SIZE	PART
800 x 6	7138
16-800 x 7**	7119
325/350 x 8	7123
325/350 x 8**	7123-S
480/400 x 8	7124
480/400 x 8**	7121
16-650/750 x 8**	7118
18-850/950 x 8**	7120
250x10**	7126
325/350 x 10**	7137
20.5-800 x 10**	7142

Due to the conditions under which they may be installed or operated, no warranties of any kind, express or implied, are made as to any tires or tubes.

RIBBED, Flat Profile



RIBBED, Round Profile



C = Carlisle

SIZE	TIRE	PLY	WIDTH	OD*	INNERTUBE
11-400 x 5	7164	2	3.2"	10.5"	7131
11-400 x 5	7046	4	3.2"	10.5"	7131
11-400 x 5	7046-6	6	3.2"	10.5"	7131
11-400 x 5	7046-8	8	3.2"	10.8"	7131
13-500 x 6	7168	2	4.8"	12.6"	7133
13-500 x 6	7018	4	4.8"	12.6"	7133
13-500 x 6C	7087	4	4.8"	12.6"	7133
13-650 x 6	7031	4	6.0"	12.5"	7141
15-600 x 6	7169	2	5.9"	14.8"	7125
15-600 x 6	7050	4	5.9"	14.8"	7125
15-600 x 6C	7088	4	6.0"	15.0"	7125
800 x 6	7007	4	8.0"	16.0"	7138
16-650 x 8	7024-2	2	6.4"	16.4"	7118
18-850 x 8	7002	4	8.0"	16.5"	7120
18-950 x 8	7027	4	8.0"	17.4"	7120

SIZE	TIRE	PLY	WIDTH*	OD*	INNERTUBE
200 X 50	7071-2	2	2.1"	7.5"	7143
10-300 x 4	7014	4	3.2"	10.0"	7128
13-400 x 6	7011-2	2	4.1"	13.0"	7133
13-400 x 6	7005	4	4.1"	13.0"	7133
14-300 x 8	7008-2	2	3.2"	14.0"	7123
410/350 x 8	7003-2	2	3.5"	15.3"	7123
480/400 x 8	7012-2	2	4.6"	16.3"	7124
480/400 x 8	7012	4	4.6"	16.3"	7121



SAWTOOTH

SIZE	TIRE	PLY	WIDTH*	OD*	INNERTUBE
280/250 x 4	7035	4	2.8"	8.8"	7129
410/350 x 4	7036	4	3.5"	10.5"	7130
340/300 x 5	7038	4	3.5"	10.5"	7131
410/350 x 5	7037	4	3.5"	11.5"	7132
410/350 x 6	7039	4	4.0"	12.5"	7133
530/450 x 6	7051	4	5.3"	14.7"	7134
480/400 x 8	7010-2	2	4.6"	16.0"	7121

SIZE	TREAD	TIRE	PLY	WIDTH*	OD*	INNERTUBE
200 x 50	STUD	7073	4	2.1"	7.5"	7143
300 x 4	SCOOT	7077	4	3.2"	10.5"	7128
410/350 x 4	STUD	7032	4	3.5"	10.5"	7130
410/350 x 4	UNIV	7078	4	3.5"	10.5"	7130
410/350 x 5	STUD	7033	4	3.5"	11.5"	7132
410/350 x 5	UNIV	7074	4	3.5"	11.5"	7132
410/350 x 6	STUD	7034	4	4.0"	12.5"	7133
410/350 x 6	UNIV	7075	4	4.0"	12.5"	7133
410/350 x 6	SCOOT	7059	4	4.0"	12.5"	7133
530/450 x 6	STUD	7058	4	5.3"	14.7"	7134
530/450 x 6	UNIV	7040	4	5.3"	14.7"	7134
145-70 x 6	KNOB	1222	2	6.0"	14.2"	7140
16-800 x 7	KNOB	7022	4	7.4"	16.0"	7119
480/400 x 8	STUD	7054	4	4.6"	16.0"	7121
16-650 x 8	STUD	7023	2	6.4"	16.4"	7118
18-950 x 8	KNOB	1228	2	8.5"	17.3"	7120
20-700 x 8	KNOB	1226	2	7.2"	20.0"	7120
22-11.00 x 8	KNOB	1225	2	9.0"	22.0"	7120
250/275 x 10	UNIV	7020	4	2.5"	15.3"	7126
350 x 10	STUD	7009	4	3.7"	17.5"	7137
350 x 10	UNIV	7013	4	3.7"	17.5"	7137

UNIVERSAL, STUDED "SCOOTER" & KNOBBY



Additional ATV tires available - contact us for sizes

* Tire Width & OD are nominal.

TIRE MOUNTING & INFLATION SAFETY PRECAUTIONS



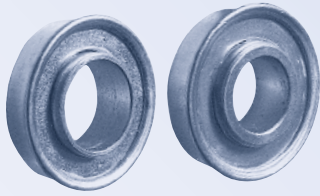
WARNING!



THESE ARE NOT AUTOMOTIVE WHEELS AND TIRES. EXTRA INFLATION PRECAUTIONS ARE REQUIRED! 1. INSPECT WHEEL FOR ANY SERVICE DAMAGE BEFORE MOUNTING TIRE. 2. LUBRICATE TIRE BEADS AND WHEELS RIMS WITH APPROVED TIRE LUBRICANT 3. USE REGULATED PRESSURE WITH AN EXTENSION HOSE AND IN-LINE GAUGE. 4. USE SAFETY GLASSES AND A SAFETY CAGE, OR OTHER CONTAINMENT DEVICE FOR THE TIRE/WHEEL ASSEMBLY. DO NOT EXPOSE ANY UNPROTECTED PORTION OF YOUR BODY TO THE TIRE/WHEEL ASSEMBLY WHILE INFLATING. 5. NEVER PRY AGAINST A CAST ALUMINUM OR NYLON WHEEL RIM. 6. DO NOT POP THE BEAD ONTO THE RIM. 7. ON REACHING 25 PSI PRESSURE, IF TIRE IS NOT YET SEATED, STOP, AND DEFLATE COMPLETELY. THEN DISASSEMBLE, RELUBRICATE AND HAND SEAT THE TIRE ONTO THE RIM BEFORE REINFLATING THE TIRE.

BEARINGS

Ball, Roller & Rod End



STANDARD BALL BEARINGS

ID	OD	THICKNESS	PART
1/2"	1-3/8"	5/16"	8222 ‡
5/8"	1-3/8"	5/16"	8204 ‡
3/4"	1-3/8"	5/16"	8201 ‡

‡with Flange

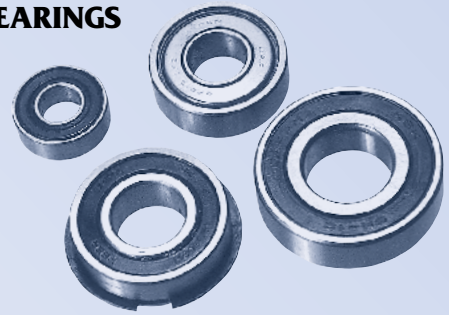
PRECISION SEALED BALL BEARINGS

ENGLISH SIZES

ID	OD	THICKNESS	PART
3/8"	7/8"	9/32"	8225
1/2"	1-1/8"	3/8"	8253
1/2"	32mm	10mm	8292
1/2"	1-3/8"	7/16"	8203
9/16"	1-3/8"	7/16"	8283
5/8"	1-3/8"	11/32"	8284
5/8"	1-3/8"	7/16"	8206
5/8"	1-3/8"	7/16"	8205 *
5/8"	35mm	11mm	8267
5/8"	1-5/8"	1/2"	8268
3/4"	1-3/8"	7/16"	8273 †
3/4"	40mm	12mm	8254
3/4"	1-5/8"	7/16"	8219
3/4"	1-5/8"	1/2"	8285
3/4"	2.0"	9/16"	8281
1.0"	2.0"	1/2"	8207
1-1/4"	2-1/4"	1/2"	8202

*with Snap Ring

†Ground Sealed with Flange

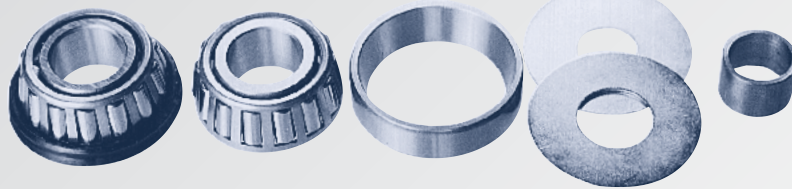


METRIC SIZES

ID	OD	THICKNESS	PART
8mm	22mm	7mm	8259
10mm	26mm	8mm	8226
12mm	32mm	11mm	8224
17mm	35mm	10mm	8290
17mm	40mm	12mm	8289
20mm	47mm	14mm	8279
20mm	47mm	14mm	8269
25mm	52mm	15mm	8291

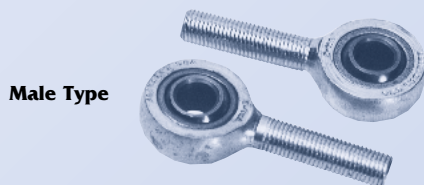
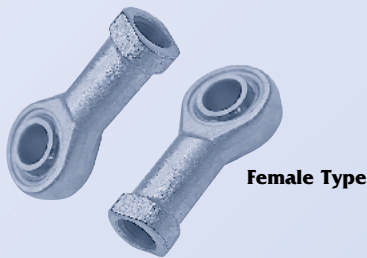
TAPERED ROLLER BEARINGS

DESCRIPTION - 1.781" OD	PART
Sealed Roller (cone) - 5/8" ID	8228
Roller (cone) - 5/8" ID	8258
Sealed Roller (cone) - 3/4" ID	8229
Roller (cone) - 3/4" ID	8256
Race (cup)	8257
Dust Shield - 5/8" ID	8305
Dust Shield - 3/4" ID	8301
Reducer Bushing - 3/4" to 5/8"	8271



DESCRIPTION - 1.377" OD	PART
Sealed Roller (Cone) - 5/8" ID	8228
Race (Cup)	8258

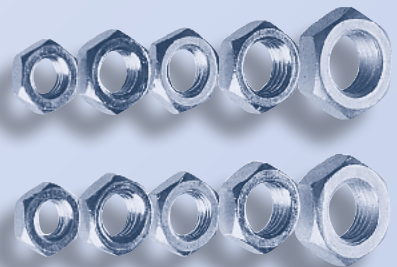
ROD END BEARINGS - MALE & FEMALE



FEMALE - DELUXE	PART
1/4-28 Right	8252-R
1/4-28 Left	8252-L
5/16-24 Right	8221
5/16-24 Left	8221-L
3/8-24 Right	8244
3/8-24 Left	8244-L
7/16-20 Right	8245
MALE - DELUXE	PART
1/4-28 Right	8250-R
1/4-28 Left	8250-L
5/16-24 Right	8248
5/16-24 Left	8249
8mm Right	8251-R
8mm Left	8251-L
3/8-24 Right	8246
3/8-24 Left	8247
1/2-20 Right	8272
1/2-20 Left	8272-L
FEMALE - ECONOMY	PART
5/16-24 Right	8220
5/16-24 Left	8220-L
3/8-24 Right	8243
3/8-24 Left	8243-L

JAM NUTS

Zinc Plated



DESCRIPTION	PART
1/4-28 Right	8531
1/4-28 Left	8537
8mm Right	8540
8mm Left	8541
5/16-24 Right	8523
5/16-24 Left	8529
3/8-24 Right	8512
3/8-24 Left	8530
1/2-20 Right	8542
7/16-20 Right	8513
5/8-18 Right	8524
3/4-16 Right	8525

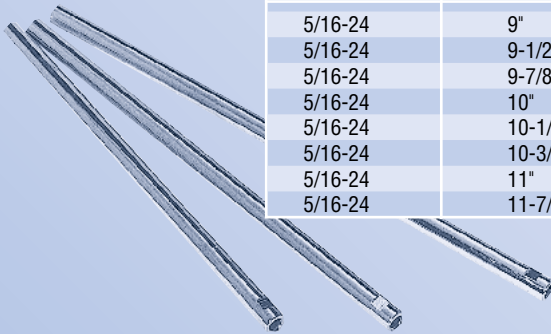


TUBULAR TIE RODS & KITS



- ✓ 5/16-24 Left & Right Hand Threads
- ✓ Eight Standard Lengths*
- ✓ Strong, Lightweight
- ✓ Chrome Plated

SIZE	LENGTH*	KITS	TUBES ONLY
5/16-24	9"	1849-090	8227-090
5/16-24	9-1/2"	1849-095	8227-095
5/16-24	9-7/8"	1849-099	8227-099
5/16-24	10"	1849-100	8227-100
5/16-24	10-1/2"	1849-105	8227-105
5/16-24	10-3/4"	1849-107	8227-107
5/16-24	11"	1849-110	8227-110
5/16-24	11-7/16"	1849-115	8227-115

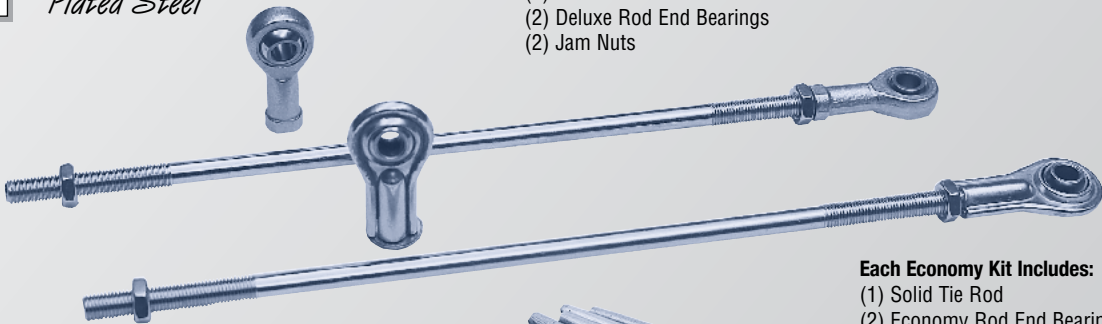


- Each Kit Includes:**
- (1) Tubular Tie Rod
 - (2) Deluxe Rod Ends - Right & Left
 - (2) Jam Nuts - Right & Left

SOLID TIE RODS & KITS

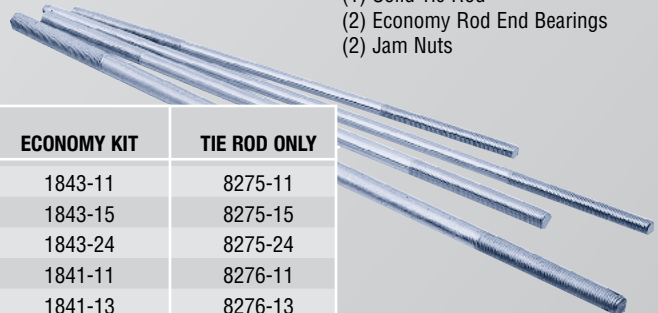
- ✓ Adjustable & Trimmable
- ✓ 2" Long Right-Hand Threads
- ✓ Plated Steel

- Each Deluxe Kit Includes:**
- (1) Solid Tie Rod
 - (2) Deluxe Rod End Bearings
 - (2) Jam Nuts



- Each Economy Kit Includes:**
- (1) Solid Tie Rod
 - (2) Economy Rod End Bearings
 - (2) Jam Nuts

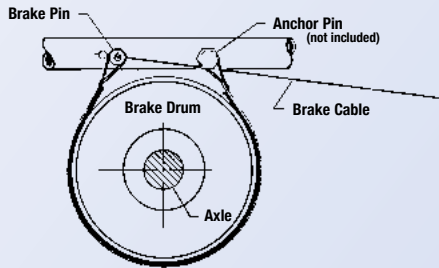
SIZE	LENGTH*	DELUXE KIT	ECONOMY KIT	TIE ROD ONLY
5/16-24	11"	1842-11	1843-11	8275-11
5/16-24	15"	1842-15	1843-15	8275-15
5/16-24	24"	1842-24	1843-24	8275-24
3/8-24	11"	1844-11	1841-11	8276-11
3/8-24	13"	1844-13	1841-13	8276-13



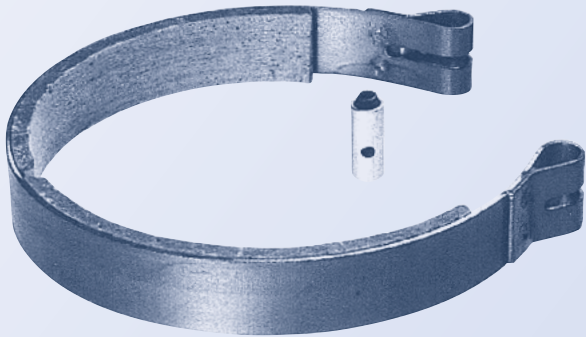
*Other lengths available in quantity. Please ask us about minimum order requirements.

AZUSA BAND BRAKES

Band Brakes are simple, effective and economical for a variety of light duty vehicles. Two popular sizes for Azusa 4" or 4-1/2" drums and a 3-3/4" size Brake Pin included.



- 3 Sizes
- Steel Bands
- 2 Piece Bonded Brake Lining
- Steel Brake Pin with Cable Hole
- Economical



DESCRIPTION – 3-3/4"	PART
Band Brake for 4" Drum + Pin - Skin-Packed	2252
Band Brake for 4" Drum + Pin - Bulk	2252-B
Brake Pin (Replacement)	2254
DESCRIPTION – 4"	PART
Band Brake for 4" Drum + Pin - Skin-Packed	2251
Band Brake for 4" Drum + Pin - Bulk	2251-B
Brake Pin (Replacement)	2254
DESCRIPTION – 4-1/2"	PART
Band Brake for 4-1/2" Drum + Pin - Skin-Packed	2255
Band Brake for 4-1/2" Drum + Pin - Bulk	2255-B
Brake Pin (Replacement)	2254

4-1/2" BRAKE DRUMS - MACHINED

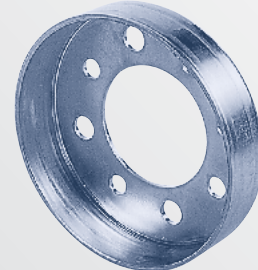
Flanged drum has 6 holes on a 5-1/4" bolt circle. All machined either "OD" for band brakes or "ID" for brakes on page 19. All drums have 3 sets of mounting holes: 3 & 4 hole on a 3.75" diameter bolt circle and a 4 hole on a 3.228" bolt circle to match the mini hub below.



- Machined OD for Band Brake Use

DESCRIPTION	PART
Drum, 4-1/2", Machined OD, No Flange	2211-OD
Drum, 4-1/2", Machined OD, With Flange	2213-OD

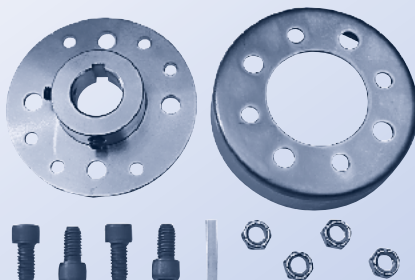
4" BRAKE DRUM



- For Use with 4" Band Brake
- 2.875" Bolt Circle
- 4 Holes - 5/16" & 3/8"
- 2" Center Bore

DESCRIPTION	PART
Brake Drum, 4", No Flange	2541

4" DRUM WITH MINI HUB



Our Azusa Mini-Hub, 1" bore and 4" Brake Drum, with Hardware Kit (including set screws and key) for use on 1" Live Axle. Ideal for small, low horsepower vehicles.

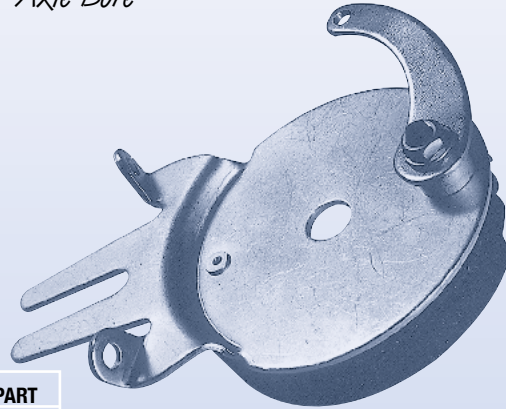
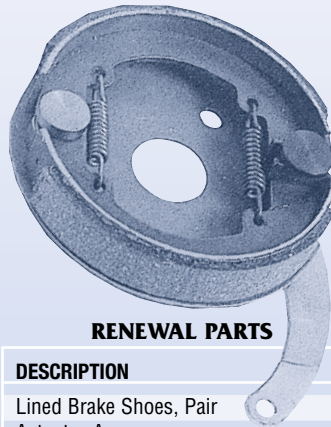
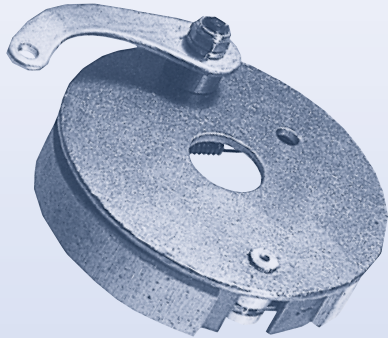
DESCRIPTION	PART
Mini-Hub with 4" Brake Drum + Hdwre	2460
Components	
Steel backing plate, 3/4" bore	2272S
Aluminum backing plate, 3/4" bore	2272A
Steel backing plate, 1" bore	2271S
Aluminum backing plate, 1" bore	2271A

AZUSA 4-1/2" BRAKES FOR MINI VEHICLES



*Actuator arm available with right offset, left offset or straight. Unless otherwise specified right-hand offset actuator arm will be supplied as illustrated.

- Two Backing Plate Styles
- Three Actuator Arm Choices*
- Bonded Brake Shoes
- 5/8", 3/4" or 1" Axle Bore



ROUND BACKING PLATE BRAKE ASSY

DESCRIPTION	PART
Steel Backing Plate, 5/8" Bore	2270S
Aluminum Backing Plate, 5/8" Bore	2270A
Steel Backing Plate, 3/4" Bore	2272S
Aluminum backing plate, 3/4" Bore	2272A
Steel backing plate, 1" Bore	2271S
Aluminum backing plate, 1" Bore	2271A

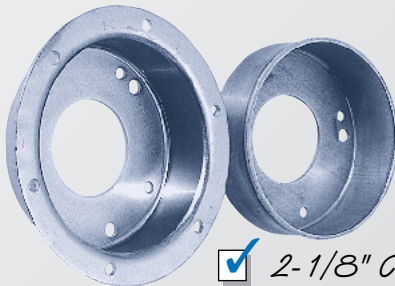
RENEWAL PARTS

DESCRIPTION	PART
Lined Brake Shoes, Pair	2260
Actuator Arm	2263
Spring (2 required)	2264
Cam	8235
Lockwasher-Split	8302
Flat Washer	8304
Locknut for Cam, 5/16-18	8510

ANCHOR BACKING PLATE ASSEMBLY

DESCRIPTION	PART
Steel Anchor Backing Plate, 5/8" Bore	2208
Steel Anchor Backing Plate, 3/4" Bore	2210
Steel Anchor Backing Plate, 1" Bore	2269

4-1/2" BRAKE DRUMS - MACHINED



2-1/8" Center Bore

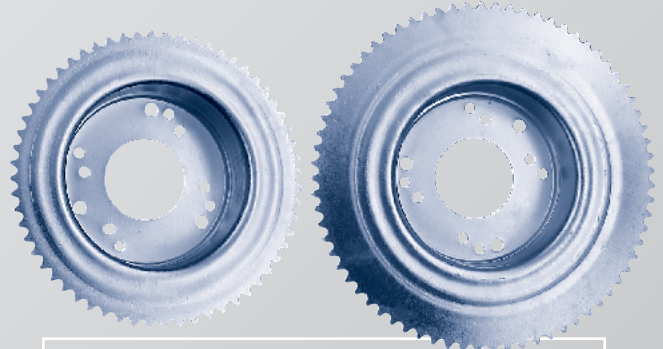
Flanged drum has 6 holes on a 5-1/4" bolt circle. All are machined either "ID" for brakes on this page, or "OD" for band brakes on page 16. All drums have three sets of mounting holes: 3 and 4 hole on a 3.75" diameter bolt circle and a 4 hole on a 3.228" bolt circle to match the mini hub on page 26.

DESCRIPTION	PART
Drum, No Flange	2211-*
Drum With Flange	2213-*

* Specify machined surface either "-ID" or "-OD"

SINGLE-PIECE SPROCKET DRUMS

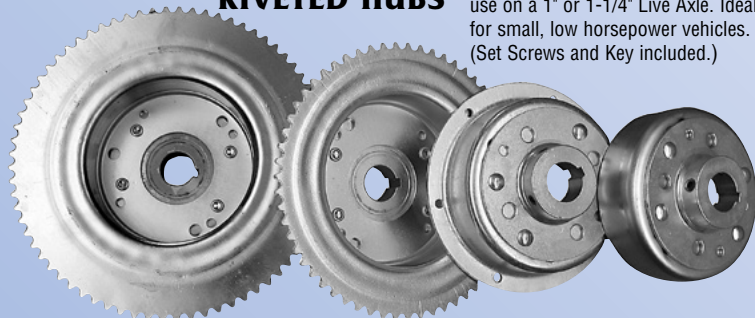
Stamped for added precision, our one-piece #35 chain 60 or 72 tooth Steel Sprocket and 4-1/2" Drum combinations provide strong, reliable units at economical prices. (Replaces Riveted assemblies.)



DESCRIPTION	PART
Drum & 60 Tooth Sprocket, Plated	2217
Drum & 72 Tooth Sprocket, Plated	2218

4-1/2" DRUMS WITH RIVETED HUBS

Azusa Mini-Hubs (1" or 1-1/4" bore), riveted to any of our 4-1/2" drums for use on a 1" or 1-1/4" Live Axle. Ideal for small, low horsepower vehicles. (Set Screws and Key included.)



DESCRIPTION	PART
72T Sprocket, Drum & 3/4" Hub Kit, #35 Chain	2468-*
72T Sprocket, Drum & 1" Hub Kit, #35 Chain	2268-*
72T Sprocket, Drum & 1-1/4" Hub Kit, #35 Chain	2248-*
60T Sprocket, Drum & 3/4" Hub Kit, #35 Chain	2467-*
60T Sprocket, Drum & 1" Hub Kit, #35 Chain	2267-*
60T Sprocket, Drum & 1-1/4" Hub Kit, #35 Chain	2247-*
Flanged Brake Drum & 3/4" Hub Kit	2466-*
Flanged Brake Drum & 1" Hub Kit	2266-*
Flanged Brake Drum & 1-1/4" Hub Kit	2246-*
Brake Drum, No Flange & 3/4" Hub Kit	2465-*
Brake Drum, No Flange & 1" Hub Kit	2265-*
Brake Drum, No Flange & 1-1/4" Hub Kit	2245-*

* Specify machined surface either "-ID" or "-OD"

5" & 6" BRAKES and Accessories

5" BRAKE DRUM



5" Brake Drum, No Flange (3-1/4" Bolt Circle) 2542

5" INTERNAL EXPANDING DRUM BRAKE



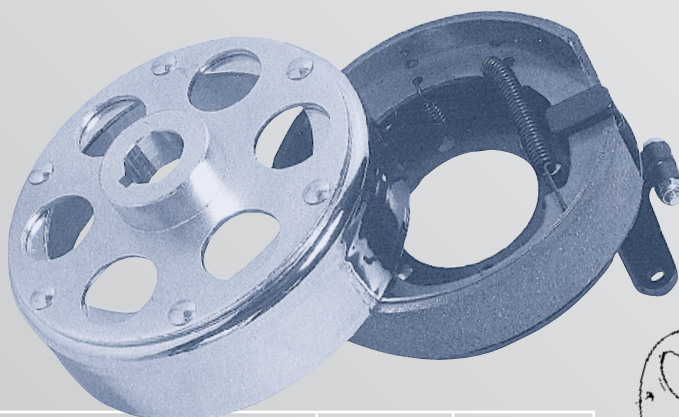
Azusa 5" Brake Assembly 2530

- ✓ Black Anodized Aluminum Backing Plate
- ✓ Sturdy Arm Allows For 8 Positions
- ✓ Only 16 Ounces Total Weight
- ✓ Bonded Brake Shoes

With a 5/8" bore and only 1-3/8" wide, this sturdy, lightweight, economical 5" internal expanding brake may be just the unit for your small vehicle.

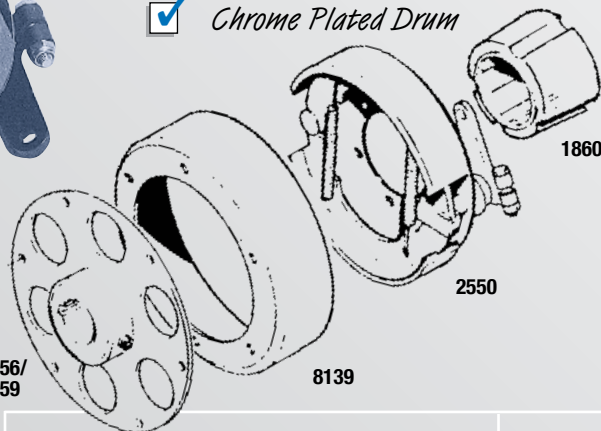
5" BRAKE COMPONENTS	PART
Backing Plate, Pivot & Bushing	2532
Actuating Cam	2533
Brake Arm	2537
Lined Shoes, Pair	2538
Spring	2539
Cotter Pin	8418
Lockwasher 5/16	8302
Locknut 5/16-18, Thin Nylon	8510

6" INTERNAL DRUM BRAKE



2556/
2559

- ✓ Adjustable Actuator Arm
- ✓ Premium Bonded Linings
- ✓ Machined Braking Surface
- ✓ Chrome Plated Drum



2550

8139

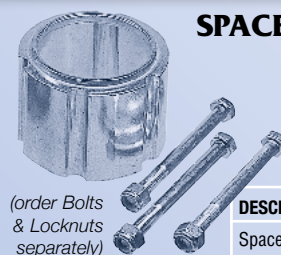
1860

COMPLETE HUB & BRAKE KITS	1" ID HUB	1.25" ID HUB
6" Brake, Plated Drum, Mounted w/ Uni-Hub & Set Screw (1/4" Keyway)	2551	2547
As above plus Spacer & Hardware	2552	2548
KIT COMPONENTS	1" ID HUB	1.25" ID HUB
6" Brake Assembly, Less Drum	2550	2550
Uni-Hub & Set Screw (1/4" Keyway)	2556	2559
Drums - 4-9/16" Bore:		
• Unplated	8138	8138
• Plated	8139	8139
• Unplated with Riveted Uni-Hub	8149	8146
• Plated with Riveted Uni-Hub	8142	8141

REPLACEMENT PARTS	PART
Brake Shoes with Lining, Bulk, Pair	8100
Brake Shoes with Lining, Packaged, Pair	8101
Spring - Short (2 required)	8455
Spring - Long (2 required)	8456
Arm Assembly Kit with Fasteners	8147
Cam Assembly	8148

BONDED SHOES FOR 6" AZUSA BRAKE

DESCRIPTION	PART
Pair, Bulk	8100
Pair, Skin-Packed	8101



(order Bolts & Locknuts separately)

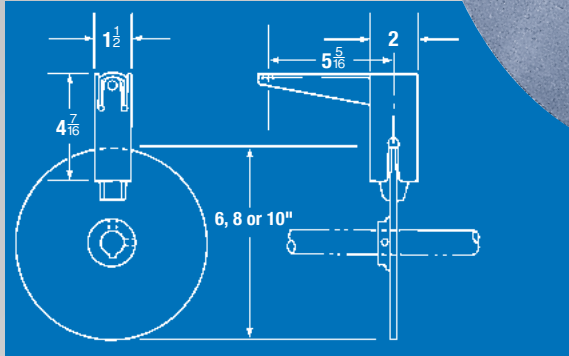
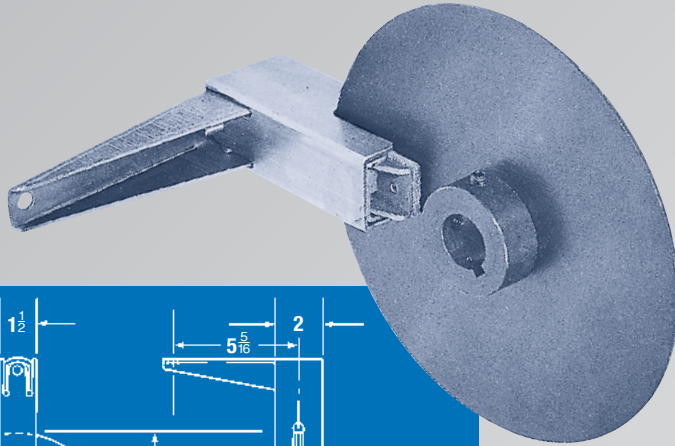
SPACER - BRAKE TO HANGER

Aluminum die-cast spacer secures the 6" brake accurately to the frame hanger. It is designed to adapt to either the two or three hole flangettes. (Use #8465 Bolts and #8510 Locknuts)

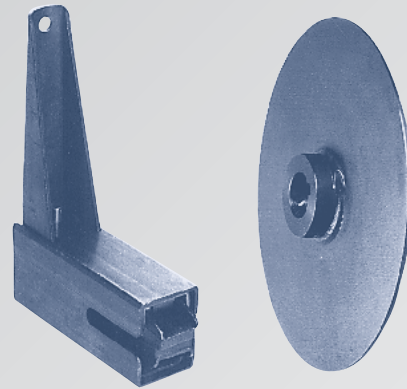
DESCRIPTION	PART
Spacer - Brake to Hanger (w/o hardware)	1860



AZUSA "POSI STOP" MECHANICAL DISC BRAKE

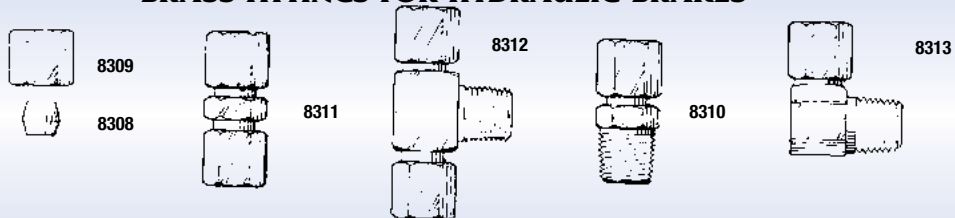


- ✓ 1" Axle Bore With 1/4" Keyway
- ✓ Dual Pads of Bonded Lining
- ✓ Self Aligning to Disc
- ✓ 5/16" Arm Hole
- ✓ 3 Disc Sizes



DESCRIPTION	PART
Brake Assembly without Disc	1822
Disc Only, 6" Diameter, 1" Bore, 1/8" Thick	1827
Disc Only, 8" Diameter, 1" Bore, 1/8" Thick	1823
Disc Only, 10" Diameter, 1" Bore, 1/8" Thick	1828
Replacement Shoes with Lining (2 required)	8118

BRASS FITTINGS FOR HYDRAULIC BRAKES



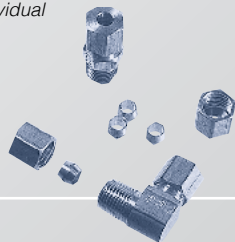
DESCRIPTION	PART
Compression Ferrule, 3/16"	8308
Compression Nut, 3/16"	8309
Connector, 3/16" tube to 1/8" tube N.P.T.	8310

DESCRIPTION	PART
Full Union, 3/16" tube to 3/16" tube N.P.T.	8311
Male Run Tee, 3/16" tube to 1/8" N.P.T.	8312
Male Adapter Elbow, 3/16" tube to 1/8" N.P.T.	8313
T-Fitting, Female, 1/8" Tube N.P.T.	3803

"N.P.T." means National Pipe Thread Taper which is a U.S. standard for tapered threads used on threaded pipes and fittings.

BRASS HYDRAULIC FITTINGS KIT

Assortment consisting of the most needed replacement fittings: (4) 3/16 compression ferrules, (2) 3/16 compression nuts, a 90° adaptor elbow and a straight connector. See above for individual part numbers.



Brass Fittings Kit 2253

HYDRAULIC BRAKE LINE (Nylaflo[®] Type H)

Highest strength general purpose hydraulic tubing, Type 6/6 Nylon. 3/16" OD x 0.038" wall, with 5/8" minimum bend radius.



Operating temperature from -65 °F to 150 °F. Minimum burst pressure, 2,500 psi. Minimum order, 10 ft.

Pressure Tubing, 3/16 Nylon, per ft. 8307



- 4130 Steel
- Best-Sellers!

CHROME-MOLY STEEL TUBE AXLES

DIAMETER	KW	LENGTH	.190 wall*	.250 wall*
1-1/4"	1/4"	23"	1421-23	—
1-1/4"	1/4"	26"	1421-26	1424-26
1-1/4"	1/4"	28"	—	1424-28
1-1/4"	1/4"	32"	1421-32	1424-32
1-1/4"	1/4"	34"	1421-34	1424-34
1-1/4"	1/4"	36"	1421-36	1424-36
1-1/4"	1/4"	38"	1421-38	1424-38
1-1/4"	1/4"	40"	1421-40	1424-40
1-1/4"	1/4"	42"	1421-42	1424-42
1-1/4"	1/4"	44"	1421-44	1424-44
1-1/4"	1/4"	46"	1421-46	1424-46
1-1/4"	1/4"	48"	1421-48	1424-48

*Nominal after centerless grinding

AZUSA TUBULAR AXLES

Azusa offers tubular axles in two quality materials. True Chrome-Moly Steel and Aluminum Alloy. All are centerless ground for a true surface. Two keyways each running half the length of the axle, are offset 180° and stop 1/4" before the snap ring grooves at each end. Plated and poly-wrapped for protection. Snap Rings included.

(For Snap Ring part numbers, see [page 45](#).)

- 2 Materials:
...Zinc Plated Chrome-Moly Steel
...Anodized Aluminum
- Strong & Lightweight
- Centerless Ground
- Opposing, Offset Keyways

DIAMETER	KW	LENGTH	.156 wall*	.215 wall*
1-3/8"	1/4"	34"	—	1422-34
1-3/8"	1/4"	36"	—	1422-36
1-3/8"	1/4"	40"	—	1422-40
1-3/8"	1/4"	42"	—	1422-42
1-3/8"	1/4"	44"	—	1422-44
1-1/2"	1/4"	40"	1440-40	—
1-1/2"	1/4"	42"	1440-42	—
1-1/2"	1/4"	44"	1440-44	—
35mm	5/16"	44"	—	1423-44

*Nominal after centerless grinding

KEYS & KEYSTOCK

MACHINE KEYS		KEYSTOCK	
DESCRIPTION	PART NO.	DESCRIPTION	PART NO.
3/16" x 3/16" x 1/2"	8498	3/16" x 3/16" x 12"	8400
3/16" x 3/16" x 3/4"	8454	3/16" x 1/4" x 12"	8404
3/16" x 3/16" x 1-1/4"	8442	1/4" x 1/4" x 12"	8403
3/16" x 3/16" x 2"	8436	5/16" x 5/16" x 12"	8408
3/16" x 1/4" x 1-1/4"	8434	7mm x 7mm x 12"	8402
1/4" x 1/4" x 1-1/4"	8435		

- Snap Rings Included
with All Tube Axles

ALUMINUM TUBE AXLES

1-1/4" O.D. • .195" WALL • ANODIZED ALUMINUM

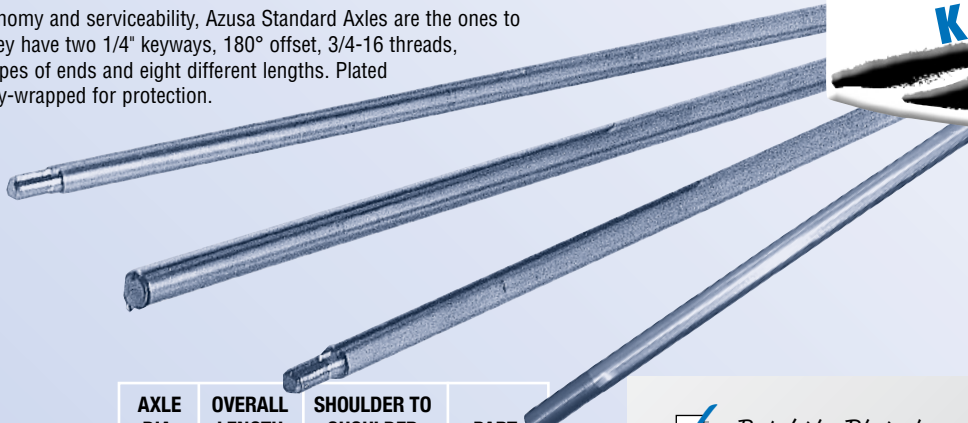
LENGTH	SILVER	GOLD
24"	1432-24	—
30"	1432-30	1433-30
32"	1432-32	1433-32
34"	1432-34	—
36"	1434-36*	—
38"	1432-38	—
40"	1432-40	1433-40
44"	1432-44	1433-44

*Solid Axle



STANDARD STEEL AXLES

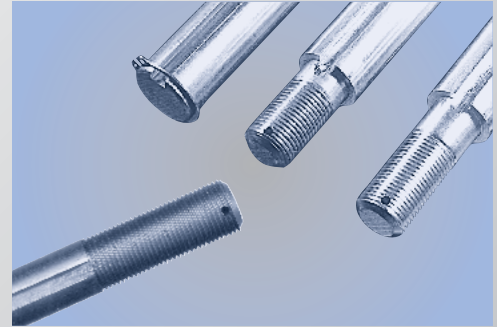
For economy and serviceability, Azusa Standard Axles are the ones to use. They have two 1/4" keyways, 180° offset, 3/4-16 threads, three types of ends and eight different lengths. Plated and poly-wrapped for protection.



	AXLE DIA.	OVERALL LENGTH	SHOULDER TO SHOULDER	PART
Threaded No-Step End (thread length 2")	3/4"	38"	38"	1405-38*
	3/4"	41"	41"	1405-41*
Stepped End (2") (thread length 1-3/8")	1"	30"	26"	1401-30
	1"	34"	30"	1401-34
	1"	36"	32"	1401-36
	1"	38"	34"	1401-38
	1"	40"	36"	1401-40
	1"	42"	38"	1401-42
	1"	44"	40"	1401-44
Short Stepped End (1-1/2") (thread length 1-1/8")	1"	36"	33"	1402-36
	1"	38"	35"	1402-38
	1"	40"	37"	1402-40
	1"	42"	39"	1402-42
Snap Ring End (no step) <i>(Snap Rings Included; for Snap Ring part nos., see page 45)</i>	1"	22"	22"	1403-22
	1"	22"	22"	1403-22
	1"	38"	38"	1403-38
	1"	40"	40"	1403-40

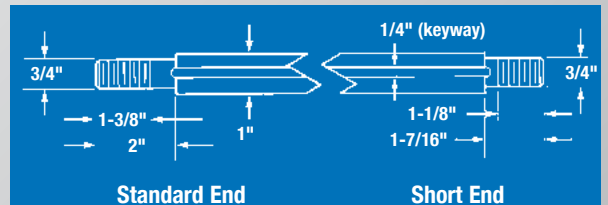
*3/16" Keyway

- Brightly Plated*
- Offset Keyways*
- Stepped-Down Threaded Ends or Snap Ring Grooves*
- 3/4", 1" or 25mm Diameter*
- Flexpruf Steel or Standard Steel*



See page 42 for Solid Steel Mini Axles

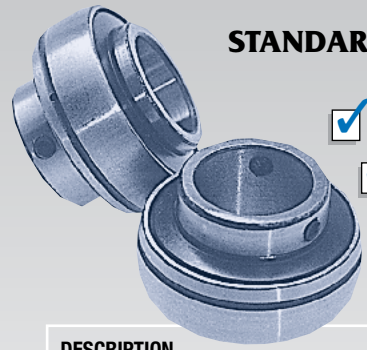
DELUXE FLEXPRUF STEEL AXLES



	AXLE O.D.	OVERALL LENGTH	SHOULDER TO SHOULDER	PART
Standard End (2") (thread length 1-3/8")	1"	34"	30"	1411-34
	1"	36"	32"	1411-36
	1"	38"	34"	1411-38
	1"	40"	36"	1411-40
	1"	42"	38"	1411-42
	1"	44"	40"	1411-44
Short End (1-1/2") (thread length 1-1/8")	1"	36"	33"	1412-36
	1"	38"	35"	1412-38
	1"	40"	37"	1412-40
Snap Ring End (no step) <i>(Snap Rings Included; for Snap Ring part nos., see page 45)</i>	25mm	40"	40"	1414-40
	1"	30"	30"	1413-30
	1"	40"	40"	1413-40

Our premium Deluxe Flexpruf axles are made of higher strength steel. The ends step down from 1" to 3/4" and have a 3/4-16 thread. Two keyways (1/4") are offset 180° for stress relief, balance and unrestricted positioning of brakes, bearings and hubs. Ends are drilled for your cotter pins or safety wire. Plated and poly-wrapped for protection.

Live Axle Bearings and Kits



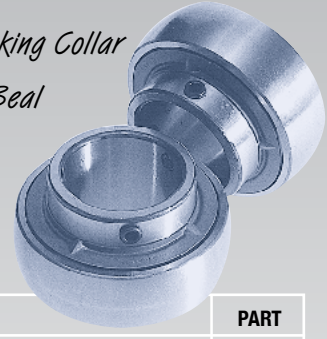
STANDARD AXLE BEARINGS

- Hardened Chrome Steel
- Integral Locking Collar
- ANSI Standards

DESCRIPTION	PART
for 3/4" Axles	8265
for 1" Axles	8211
for 1-1/4" Axles	8208

FREE SPINNING AXLE BEARINGS

- Integral Locking Collar
- Labyrinth Seal



DESCRIPTION	PART
for 1-1/4" Axles	8209
for 1-3/8" Axles	8260
for 1-1/2" Axles	8263
for 30mm Axles	8264
for 35mm Axles	8261
for 40mm Axles	8262
for 50mm Axles	8266

Free spinning bearings must be lubricated frequently with a light, low viscosity oil.

LIVE AXLE BEARING KITS AND COMPONENTS

These kits include everything needed to assemble a live axle to your frame. The bearing hangers are designed to accept either the two or three hole bearing flangettes. Will work with all Azusa axles. For very long axles, an additional bearing and hanger may be needed.

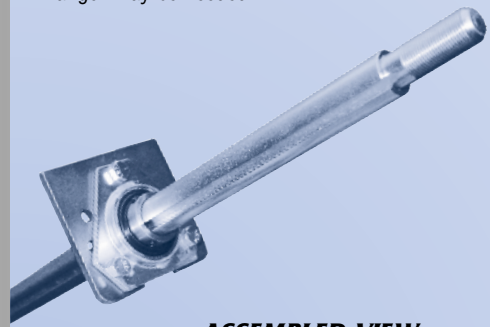


BEARING KITS

DESCRIPTION	FOR 3/4" AXLES	FOR 1" AXLES	FOR 1 1/4" AXLES	
	Standard	Standard	Free Spinning	Standard
Kit with 2 Hole Flangettes	1869-A	1861-A	—	—
Kit with 3 Hole Flangettes	—	1861-B	1864	1863

COMPONENTS - EACH

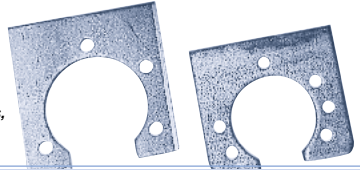
3/4" Axle Bearing (2)	8265	—	—	—
1" Axle Bearing (2)	—	8211	—	—
1-1/4" Free Spinning Bearing (2)	—	—	8209	—
1-1/4" Standard Bearing (2)	—	—	—	8208
Bearing Hanger (2)	8126	8127	8130	8130
Flangette - 2 Hole (4) or...	8282	8212	—	—
Flangette - 3 Hole (4)	—	8213	8217	8217
Bolts - 5/16-18 x 3/4" (6) or (4)	8421	8421	8421	8421
Locknuts - 5/16-18 (6) or (4)	8510	8510	8510	8510
Axle Locknuts - 3/4-16 (2)	8516	8516	—	—



ASSEMBLED VIEW

BEARING HANGERS

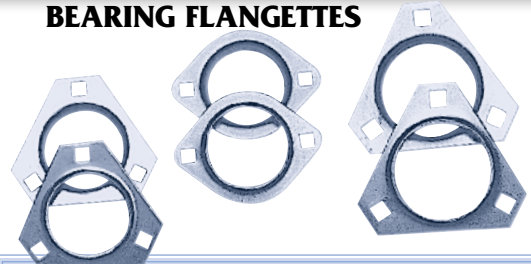
- Pre-Drilled for 2-Hole or 3-Hole Flangette
- Quarter Inch Steel Plate



For dimensions, see page 37

DESCRIPTION	PART
For 3/4" Axles	8126
For 1" Axles	8127
For 1-1/4" Axles	8130

BEARING FLANGETTES



DESCRIPTION (Each)	BOLT CIRCLE	PART
2 Hole for 3/4" Axles	2-13/16"	8282
2 Hole for 1" Axles	3"	8212
3 Hole for 1" Axles	3"	8213
2 Hole for 1-1/4" Axles	3-9/16"	8280
3 Hole for 1-1/4" Axles	3-9/16"	8217

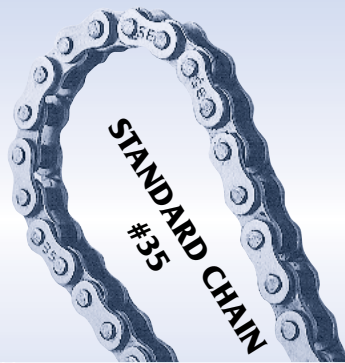


KART CHAIN

- ANSI & ISO Standards
- Boxed or Reels
- Top Quality
- Race-Proven



**SPACE CHAIN
#35**



**STANDARD CHAIN
#35**



**#219 CHAIN
#25 CHAIN**

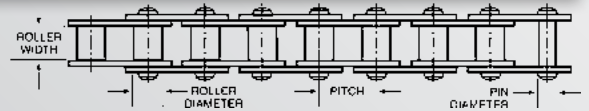
DESCRIPTION	PART	DESCRIPTION	PART	DESCRIPTION	PART
10 Ft. Box w/ Connecting Link	4006-10	10 Ft. Box w/ Connecting Link	4008-10	#219H x 120 Pitches - Boxed	4397
Reels	4006	Reels	4008	#25 x 10 ft. - Boxed w/conn. link	4001-10
36" Box w/ Connecting Link	4390	36" Box w/ Connecting Link	4316	#25 Reels	4001
40" Box w/ Connecting Link	4392	48" Box w/ Connecting Link	4318	#25H x 10 ft. - Boxed w/conn. link	4801-10
48" Box w/ Connecting Link	4391	60" Box w/ Connecting Link	4313	#25H Reels	4801
Connecting Link	4007	Connecting Link	4009	(Call for connecting & offset link part nos.)	
		Offset Link	4010		

ADDITIONAL ROLLER CHAIN

Other popular sizes of roller chain are listed in the table below. They find use in Quarter Midgets, Concession Karts, Jr. Dragsters, and other chain-driven applications.

DESCRIPTION	#40	#41	#420	#428	#520	#530
10 ft. Box with Conn. Link	4014-10	4023-10	4035-10	4038-10	4044-10	4056-10
Reels - per foot	4014	4023	4035	4038	4044	4056
Connector Links	4015	4024	4036	4039	4045	4057
Offset Link	4016	4025	4037	4040	4046	4058

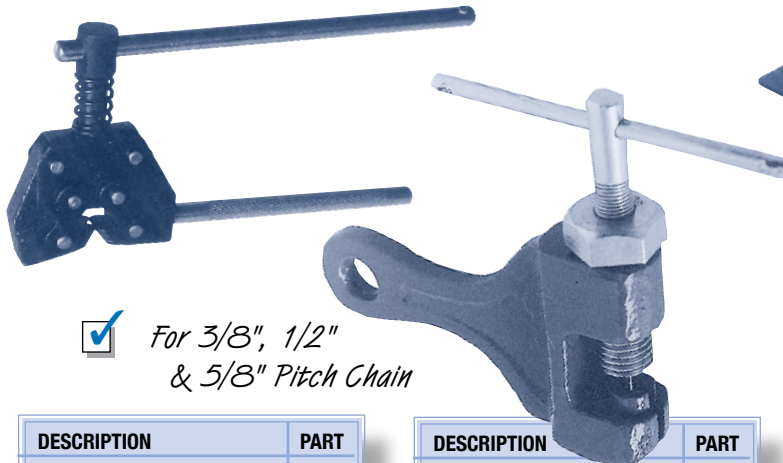
Azusa inventories a extensive line of industrial and motorcycle chain. Please check with us regarding sizes and types not shown.



GENERAL CHAIN DIMENSIONS & STRENGTH

CHAIN NUMBER	PITCH	ROLLER DIAMETER	ROLLER WIDTH	PIN DIAMETER	AVERAGE TENSILE
35	3/8	.200	3/16	.141	2,100
40	1/2	.306	5/16	.156	3,700
41	1/2	.306	1/4	.141	2,000
420	1/2	.306	1/4	.156	3,700
428	1/2	.335	5/16	.177	4,200
520	5/8	.400	1/4	.200	6,100
530	5/8	.400	3/8	.200	6,100

CHAIN BREAKERS

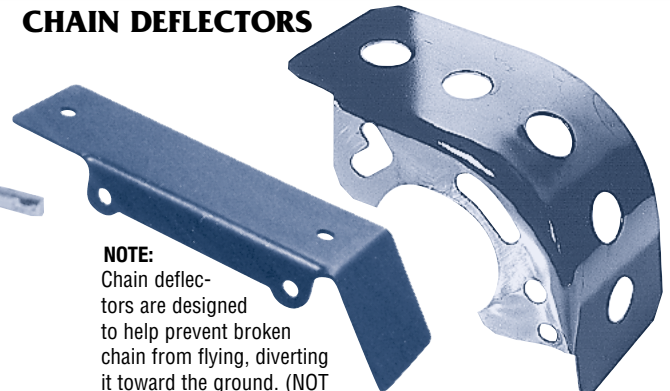


For 3/8", 1/2"
& 5/8" Pitch Chain

DESCRIPTION	PART
Chain Breaker (#25 thru #60) (includes Spare Pin)	4097

DESCRIPTION	PART
Deluxe Chain Breaker	4899
Replacement Pins (5 Pack)	4099

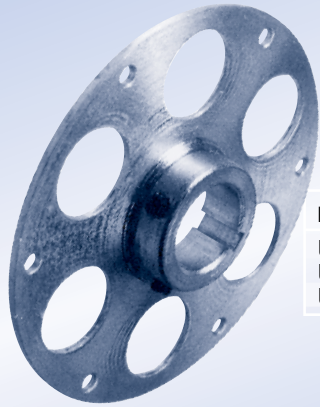
CHAIN DEFLECTORS



NOTE: Chain deflectors are designed to help prevent broken chain from flying, diverting it toward the ground. (NOT designed to prevent clothing, body parts, hair, etc. from becoming entangled in the chain.)

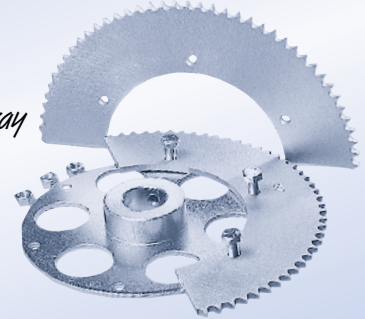
Briggs/Tecumseh Chain Deflector	1809
Chain Deflector, Chromed	1810

HUBS AND Sprockets



PLATED STEEL UNI-HUB

- ✓ Zinc-Plated Steel
- ✓ 1" or 1-1/4" Bore with 1/4" Keyway
- ✓ Strong, yet Lightweight
- ✓ Standard 5.25" Bolt Circle

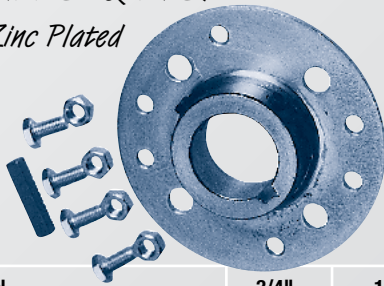


DESCRIPTION	1"	1-1/4"
Uni-Hub w/Hardware Kit, Skin-Pack	2555	2558
Uni-Hub w/Hardware Kit, Bulk	2555-A	2558-A
Uni-Hub w/Set Screws only	2556	2559

DESCRIPTION	PART
Hardware Kit for Uni-Hub	2557
Hardware Kit Includes:	
6 Bolts, 1/4-28 x 1/2"	8463
6 Hex Nuts, 1/4-28	8500
1 Key, 1/4 x 1/4 x 1-1/4"	8435
2 Set Screws	8483

STEEL MINI-HUB

- ✓ 3/4" Bore with 3/16" Keyway, or 1" or 1-1/4" Bore with 1/4" Keyway
- ✓ Fits Azusa 4-1/2" Brake Drum
- ✓ 2 Four-Hole Bolt Circle Patterns: 3.228" & 2.875"
- ✓ Zinc Plated

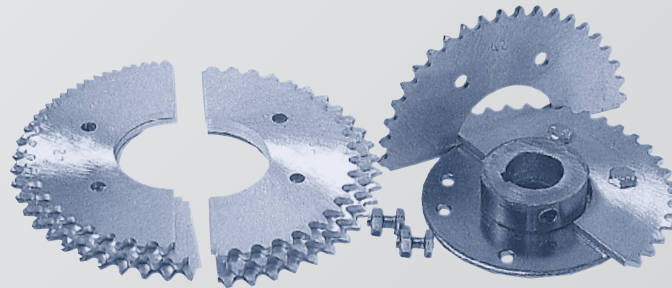


DESCRIPTION	3/4"	1"	1-1/4"
Mini-Hub w/Hardware Kit, Skin-Pack	2569	2562	2566
Mini-Hub w/Hardware Kit, Bulk	2569-A	2562-A	2566-A
Mini-Hub w/Set Screws Only (Bulk)	2568	2561	2565
Hardware Kit* for 3.228" Bolt Circle	2564	2564	2564
Hardware Kit for 2.875" Bolt Circle	2563	2563	2563

*Same as Uni-Hub Kit (above) except 4 Bolts, 4 Nuts

.160 ALUMINUM MINI-SPROCKETS

Smaller diameter, aircraft grade aluminum #35 Tuf-N-Tru sprockets, 37 to 52 teeth, split. Can also be made for other chain sizes. Specify bolt pattern **P5223** or **P5263** and chain size.

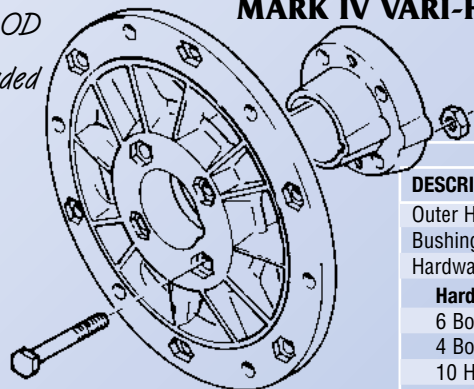


TEETH	PART
37	2084
38	2085
39	2086
40	2087
41	2088
42	2089
43	2090
44	2091

TEETH	PART
45	2092
46	2093
47	2094
48	2095
49	2096
50	2097
51	2098
52	2099

- ✓ Zinc Double Tapered Bushing - 1" OD
- ✓ 10 nuts, 10 Bolts & 1 Key Included
- ✓ For All 4-9/16" ID Sprockets
- ✓ 5.25" Bolt Circle, 5.87" OD
- ✓ Strong and Lightweight

MARK IV VARI-HUB

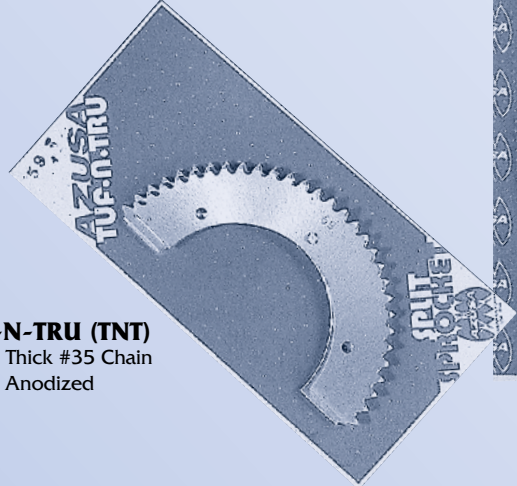


DESCRIPTION	PART
Vari-Hub w/Hardware Kit, Skin-Pk	1872
OEMS: Buy Bulk and Save	1872-A

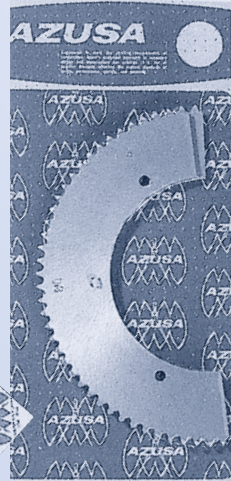
REPLACEMENT PARTS	
DESCRIPTION	PART
Outer Hub, Aluminum	8061
Bushing, 1" w/1/4" Keyway	8062
Hardware Kit for Vari-Hub	1875
Hardware Kit Includes:	
6 Bolts, 1/4-28 x 3/4"	8416
4 Bolts, 1/4-28 x 1-1/2"	8415
10 Hex Nuts, 1/4-28	8500
1 Key, 1/4 x 1/4 x 1-1/4"	8435



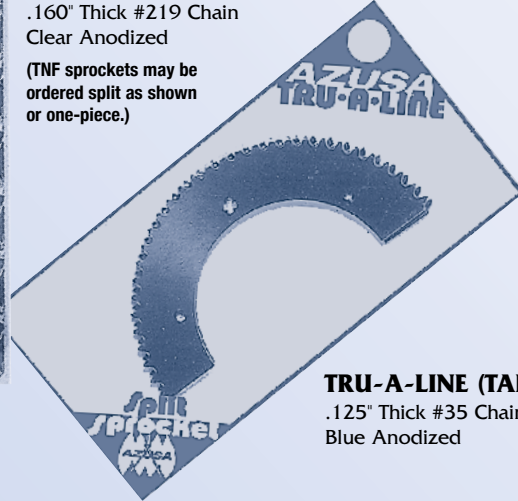
- ✓ Fits Hubs with 5.25" Bolt Circle
- ✓ Premium Heat-Treated Aluminum
- ✓ Root Split for Perfect Alignment
- ✓ Hobbed Teeth - Not Stamped



TUF-N-TRU (TNT)
.160" Thick #35 Chain
Clear Anodized



TRU-N-FINE (TNF)
.160" Thick #219 Chain
Clear Anodized
(TNF sprockets may be ordered split as shown or one-piece.)



TRU-A-LINE (TAL)
.125" Thick #35 Chain
Blue Anodized

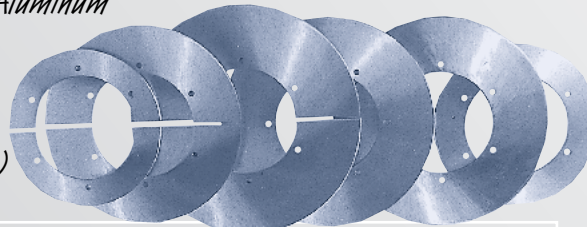
4-9/16" BORE ALUMINUM SPROCKETS - PART NUMBER TABLE

	TNF	TNT	TAL		TNF	TNT	TAL		TNF	TNT	TAL
CHAIN SIZE	#219	#35	#35	CHAIN SIZE	#219	#35	#35	CHAIN SIZE	#219	#35	#35
THICKNESS	.160	.160	.125	THICKNESS	.160	.160	.125	THICKNESS	.160	.160	.125
Teeth	Part	Part	Part	Teeth	Part	Part	Part	Teeth	Part	Part	Part
53	—	2653	—	70	2605	2670	2055	87	2622	*2699-87	—
54	—	2654	2047	71	2606	2671	2010	88	2623	*2699-88	—
55	—	2655	—	72	2607	2672	2056	89	2624	*2699-89	—
56	—	2656	2048	73	2608	2673	2011	90	2625	*2699-90	—
57	—	2657	2003	74	2609	2674	2057	91	2626	*2699-91	—
58	—	2658	2049	75	2610	2675	2012	92	2627	*2699-92	—
59	—	2659	2004	76	2611	2676	2058	93	2628	*2699-93	—
60	—	2660	2050	77	2612	2677	2013	94	2629	*2699-94	—
61	—	2661	2005	78	2613	2678	2059	95	2630	*2699-95	—
62	—	2662	2051	79	2614	2679	2014	96	2631	*2699-96	—
63	—	2663	2006	80	2615	2680	2060	97	2632	*2699-97	—
64	—	2664	2052	81	2616	2681	—	98	2633	*2699-98	—
65	—	2665	2007	82	2617	2682	2061	99	—	*2699-99	—
66	—	2666	2053	83	2618	2683	—	100	2635	*2699-100	—
67	2602	2667	2008	84	2619	2684	2062	102	—	*2699-102	—
68	2603	2668	2054	85	2620	*2699-85	—	104	—	*2699-104	—
69	2604	2669	2009	86	2621	*2699-86	—	114	—	*2699-114	—

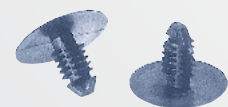
*For all 2699 numbers, also known as Jumbo XNT sprockets, "SPLIT" must be specified or sprockets will be shipped unsplit.

- ✓ Premium High-Strength Aluminum
- ✓ 5.25" Bolt Circle
- ✓ Two Thicknesses
- ✓ Split or Unsplit (Specify)

SPROCKET GUARDS



SPLIT SPROCKET CLIPS



THICKNESS	OUTSIDE DIAMETER						
	6-7/8"	7-3/8"	7-7/8"	8-3/8"	8-7/8"	9-1/2"	10-1/4"
.125"	2000-AG	2000-BG	2000-CG	2000-DG	2000-EG	2000-FG	2000-GG
.160"	2600-AG	2600-BG	2600-CG	2600-DG	2600-EG	2600-FG	2600-GG

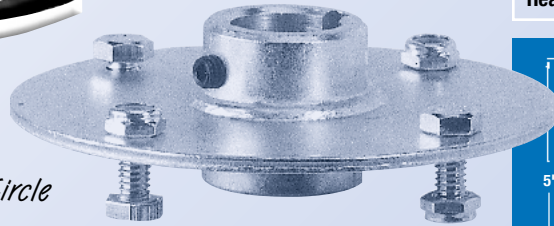
For Sprocket Halves with 1/4" holes

#35 Chain sprockets	8352
#41 thru #520 Chain sprockets	8351

minimum order 10 pieces

Specialty Sprockets & Hubs

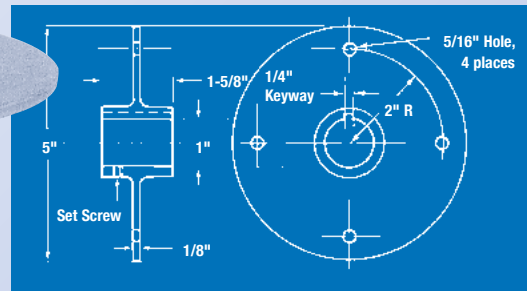
HEAVY DUTY SPROCKET HOLDER



- 4" Bolt Circle
- Steel Hub for 1" Live Axles
- Zinc Plated
- Locknuts, Grade 5 Bolts & Set Screw Included

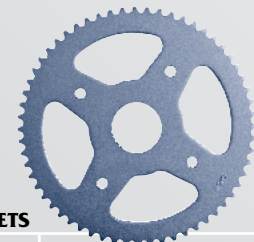
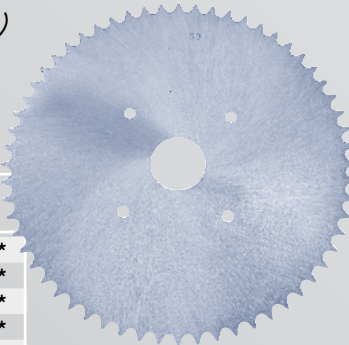
Heavy Duty Sprocket Holder/Hub

2286



- High-Strength Aluminum or Steel
- 4" Bolt Circle - 5/16" Holes (4)
- Pattern P2286, 1.5" Bore
- #35 to #530 Chain Size

SPROCKETS FOR HEAVY DUTY SPROCKET HOLDER



ALUMINUM SPROCKETS

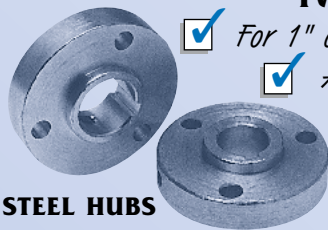
CHAIN SIZE	MINIMUM TEETH	PATTERN	PART
#35	50	P2286	T5313-*
#41(#420)	35	P2286	T5314-*
#40	35	P2286	T5315-*
#428	35	P2286	T5320-*
#520	29	P2286	T5316-*
#530	29	P2286	T5317-*

STEEL SPROCKETS

CHAIN SIZE	TOOTH SIZE	PATTERN	PART
#35	60	P2286	2165-60
#35	72	P2286	2165-72
#40/#41/#420	54	P2286	2168-54

*When ordering, add no. of teeth to part no. & ALWAYS SPECIFY PATTERN

TWO-PIECE "B" TYPE ENGINE HUB AND SPROCKET ASSEMBLIES



- For 1" or 1-1/4" ID Sprockets
- Any Chain Size

STEEL HUBS

STEEL MOUNTING HUBS, 3-HOLE, 1/2" THICK

BORE	OD	SHOULDER	BOLT CIRCLE	PATTERN	PART
5/8"	2-1/8"	1"	1-11/16"	P5256	2037
3/4"	2-1/8"	1"	1-11/16"	P5256	2038
1"	2-1/4"	1-1/4"	1-3/4"	P5340	2040

SPLIT ALUMINUM HUBS



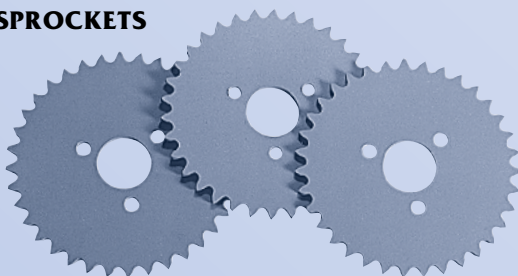
- Precision Billet Machined
- P5248 Sprocket Pattern
- For 1" ID Sprockets, Any Chain Size

Split Billet Aluminum Clamp-On Engine Hub has a 1" raised shoulder that surrounds the bore for added stability. 3/4" bore, 3/16" keyway with 3 threaded bolt holes on a 1.680" bolt circle to fit a P5248 sprocket pattern. Bolts included.

Split Aluminum Clamp-On Engine Hub

2039

ALUMINUM SPROCKETS



CHAIN SIZE	BORE	BOLTS	BOLT CIRCLE	MIN. TEETH	PATTERN	PART
#35	1"	3 @ .272"	1.687"	21	P5256	(2021-2036)**
#35	1"	3 @ .272"	1.687"	37	P5256	T5313-*
#41(#420)	1"	3 @ .272"	1.687"	17	P5256	T5314-*
#40	1"	3 @ .272"	1.687"	17	P5256	T5315-*
#520	1"	3 @ .272"	1.687"	18	P5256	T5316-*
#35	1"	3 @ .272"	1.680"	21	P5248	T5313-*
#41(#420)	1"	3 @ .272"	1.680"	17	P5248	T5314-*
#40	1"	3 @ .272"	1.680"	17	P5248	T5315-*
#520	1"	3 @ .272"	1.680"	18	P5248	T5316-*

*When ordering, add no. of teeth to part no. & ALWAYS SPECIFY PATTERN

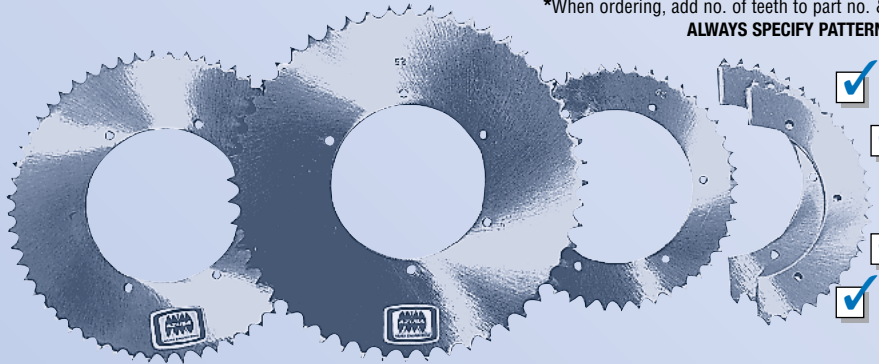
**2021 thru 2036 part numbers for #35 chain, 21 to 36 tooth



RACING SPROCKETS - FOR LARGER CHAIN SIZES

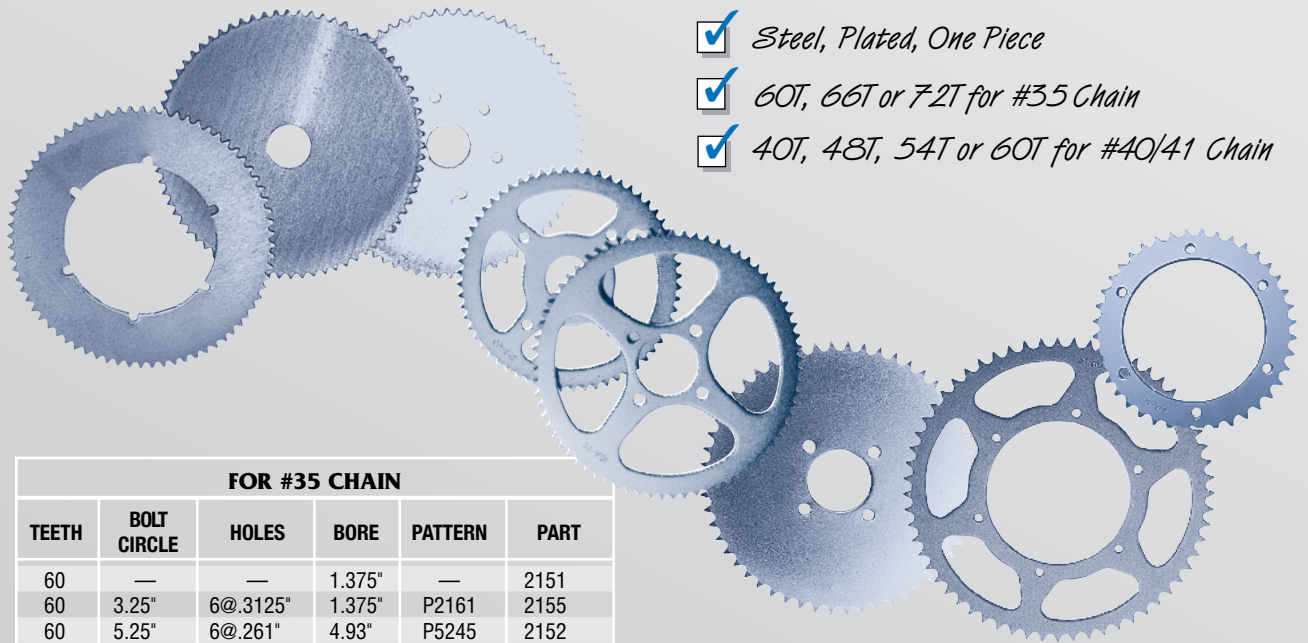
CHAIN SIZE	BORE	BOLTS/ SIZE	BOLT CIRCLE	MIN TOOTH	PATTERN	PART
#40	4.563"	6 @ .261"	5.250"	40	P5245	T5315 - *
#41	4.563"	6 @ .261"	5.250"	40	P5245	T5314 - *
#520	4.563"	6 @ .261"	5.250"	33	P5245	T5316 - *
#530	4.563"	6 @ .261"	5.250"	33	P5245	T5317 - *

*When ordering, add no. of teeth to part no. & **ALWAYS SPECIFY PATTERN**



- 5.25" Bolt Circle - 4.563" ID
- Split or Unsplit (Specify)
- For Racing or Concession Karts
- Premium High-Strength Aluminum

ECONOMY STEEL SPROCKETS



- Steel, Plated, One Piece
- 60T, 66T or 72T for #35 Chain
- 40T, 48T, 54T or 60T for #40/41 Chain

FOR #35 CHAIN

TEETH	BOLT CIRCLE	HOLES	BORE	PATTERN	PART
60	—	—	1.375"	—	2151
60	3.25"	6@.3125"	1.375"	P2161	2155
60	5.25"	6@.261"	4.93"	P5245	2152
72	—	—	1.75"	—	2157
72	3.25"	6@.3125"	1.375"	P2161	2161
72	5.25"	6@.261"	4.93"	—	2158
60	4.00"	4@.3125"	1.50"	P2286	2165-60
72	4.00"	4@.3125"	1.50"	P2286	2165-72
60	2.875"	4@.3125"	2.00"	P5263	2164-60
66	2.875"	4@.3125"	2.00"	P5263	2164-66
72	2.875"	4@.3125"	2.00"	P5263	2164-72
60	2.875" & 3.50"	4@.375" & 4@.375"	2.125"	P5263 P5214	2169-60
72	2.875" & 3.50"	4@.375" & 4@.375"	2.125"	P5263 P5214	2171-60
60	5.25"	6@.3125"	4.563"	P5245	2171-60
72	5.25"	6@.3125"	4.563"	P5245	2171-72

FOR #40/#41 (#420) CHAIN

TEETH	BOLT CIRCLE	HOLES	BORE	PATTERN	PART
40	5.25"	6@.261"	4.563"	P5245	2166-40
54	5.25"	6@.261"	4.563"	P5245	2166-54
60	5.25"	6@.261"	4.563"	P5245	2166-60
48	2.875"	4@3.75"	2.00"	P5263	2167-48
54	2.875"	4@3.75"	2.00"	P5263	2167-54
54	4.00"	4@.3125"	1.50"	P2286	2168-54



SPECIALTY SPROCKETS

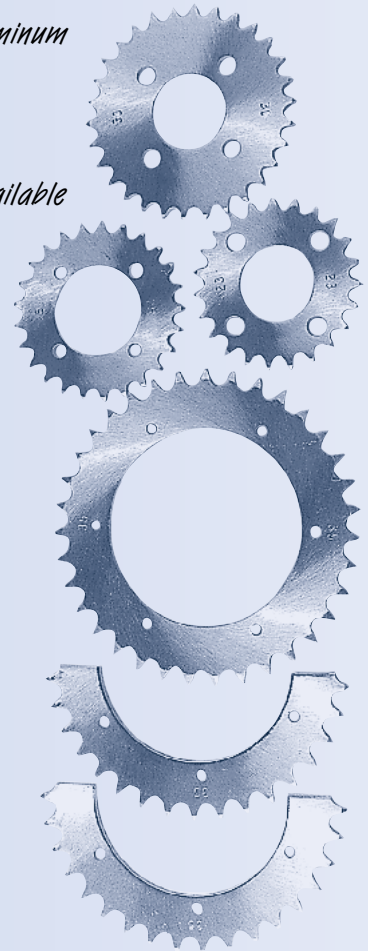
- Split or Unsplit (Specify)
- Premium High-Strength Aluminum
- Fit Quarter Midget Hubs
- Shifter Kart Race Ready
- Other Sizes & Patterns Available

POPULAR PATTERNS & SIZES:

CHAIN SIZE	BORE	BOLTS/ SIZE	BOLT CIRCLE	MINIMUM TEETH	PATTERN	PART
#35	1.000"	3 @ .272"	1.680"	21	P5248	T5313-*
#35	1.000"	3 @ .272"	1.687"	21	P5256	T5313-*
#35	1.750"	4 @ .453"	2.75"	30	P5237	T5313-*
#35	1.250"	3 @ .250"	1.750"	23	P5340	T5313-*
#35	1.500"	4 @ .3125"	4.00"	50	P2286	T5313-*
#35	4.563"	6 @ .261"	5.250"	53	P5245	T5313-*
#35	2.000"	4 @ .375"	2.875"	34	P5263	T5313-*
#41(#420)	2.000"	4 @ .375"	2.875"	25	P5263	T5314-*
#41(#420)	1.250"	3 @ .250"	1.750"	18	P5340	T5314-*
#41(#420)	1.500"	4 @ .3125"	4.00"	35	P2286	T5314-*
#41(#420)	4.563"	6 @ .261"	5.250"	40	P5245	T5314-*
#40	1.000"	3 @ .272"	1.680"	17	P5248	T5315-*
#40	1.000"	3 @ .272"	1.687"	17	P5256	T5315-*
#40	1.250"	3 @ .250"	1.750"	18	P5340	T5315-*
#40	1.500"	4 @ .3125"	4.00"	35	P2286	T5315-*
#40	4.563"	6 @ .261"	5.250"	40	P5245	T5315-*
#40	2.000"	4 @ .312"	3.00"	26	P5260	T5315-*
#40	1.750"	4 @ .453"	2.75"	23	P5237	T5315-*
#40	2.000"	4 @ .375"	2.875"	25	P5263	T5315-*
#520	2.000"	4 @ .312"	3.00"	20	P5260	T5316-*
#520	1.250"	3 @ .250"	1.750"	16	P5340	T5316-*
#520	1.500"	4 @ .3125"	4.00"	29	P2286	T5316-*
#520	4.563"	6 @ .261"	5.250"	33	P5245	T5316-*

*When ordering, add number of Teeth to Part No. & **ALWAYS SPECIFY PATTERN**

If we don't have your desired pattern on file, send us a sample hub or old sprocket.

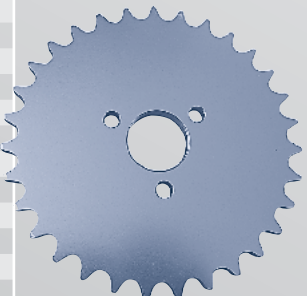


ENGINE & AXLE RACING SPROCKETS

- #40 Chain Sprockets
- Precision Billet Machined
- Premium High Strength Aluminum
- Clear Anodized

ENGINE SPROCKETS	
TEETH	PART
23	2723
24	2724
25	2725
26	2726
27	2727
28	2728
29	2729
30	2730
31	2731
32	2732
33	2733
34	2734
35	2735
36	2736

- Fits Engine Hub, Part #2039
- P5248 Bolt Pattern, 1.680" Bolt Circle, 1" Bore



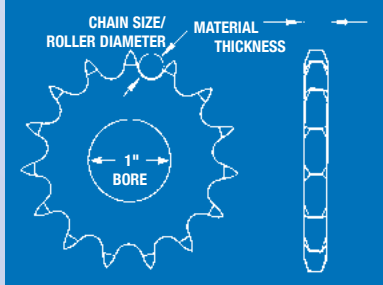
AXLE SPROCKETS	
TEETH	PART
23	2823
24	2824
25	2825
26	2826
27	2827
28	2828
29	2829
30	2830
31	2831
32	2832
33	2833
34	2834
35	2835
36	2836

- Two Identical Halves
- P5237 Bolt Pattern, 2.75" Bolt Circle, 1.75" Bore





- Premium High-Strength Aluminum
- All Popular Chain Sizes
- Precision Hobbed Teeth
- Hundreds of Patterns



You can order almost any Sprocket, precision machined with hobbed (not stamped) teeth. Order sprockets drilled with any pattern from our vast pattern library ranging in the hundreds, for any chain size listed and with most any number of teeth within the range listed.

All Sprockets are fabricated from premium heat-treated aluminum alloy.

TO ORDER: In the table below, find your **CHAIN SIZE**. Choose the **NUMBER OF TEETH** you want and add it to the **PART NUMBER** in the table below. Finally, if you are ordering a **FINISHED** Sprocket, *always* specify the bolt **PATTERN** you want when ordering.

"BLANKS" come with the specified number of teeth and a 1" bore, for those who want to add their own bore and bolt circle pattern.



"FINISHED" sprockets come complete with bore and bolt circle precision machined pursuant to the pattern you specify, ready to mount.

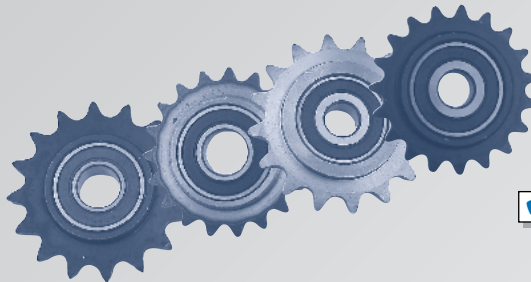


CHAIN SIZE	NUMBER OF TEETH†	ROLLER DIAMETER	MATERIAL THICKNESS	BLANK PART	FINISHED PART
#35	19-94	.306	.125 to .160	T5201-*	T5313-*
#40 (#425)	17-80	.312	.249 to .284	T5206-*	T5315-*
#41 (#420)	22-80	.306	.200 to .227	T5203-*	T5314-*
#42 (#415)	28-48	.306	.141 to .168	T5204-*	T5321-*
#428	21-48	.335	.249 to .284	T5207-*	T5320-*
#520	18-62	.400	.200 to .227	T5208-*	T5316-*
#50 (#530)	29-60	.400	.307 to .343	T5210-*	T5317-*
#630	28-48	.468	.307 to .343	T5211-*	T5318-*

*When ordering, add number of Teeth to Part No. & **SPECIFY PATTERN** for Finished Sprockets.

†NOTE: Not all tooth sizes within listed ranges are stocked; some tooth sizes available only in OEM quantities.

HEAVY DUTY IDLER/TENSIONER SPROCKETS



- Precision or Standard Ball Bearings
- For #35, #40 or #41 (#420) Chain
- 1/2" or 5/8" ID Bore

TEETH	BEARING SIZE & TYPE	FOR #35 CHAIN
19	1/2" Precision	2196
19	5/8" Precision	2197

TEETH	BEARING SIZE & TYPE	FOR#40/41 CHAIN
16	5/8" Precision	2186
16	1/2" Precision	2187



Azusa inventories a variety of engine sprockets. The most popular are shown and you can order off the shelf. We have the ability to provide your special needs in OEM quantities.

"B" Type Sprockets have a hub on one side. **"C" Type Sprockets** have a hub on both sides. Keyways are 3/16" except as noted. "B" sprockets have (2) 5/16-18 set screws.

- 3/16" Keyway; 5/16-18 Set Screw
- Case-Hardened Steel; Hobbed Teeth
- Variety of Chain Sizes



"B" TYPE, #35 CHAIN

#35 CHAIN	5/8" BORE	3/4" BORE	9° TAPERED NO SET SCREW
TEETH	PART	PART	PART
8	—	—	2115
9	2123-K*	—	2116
10	2124-K*	2138-K*	—
11	2125-K*	2139-K*	—
12	2126	2140	—
13	2127	2141	—
13	2127-K*	—	—
14	2128	2142	—
15	2129	2143	—
16	2130	2144	—
17	2131	2145	—
18	2132	2146	—
20	2133	2147	—
21	2134	—	—
22	2135	—	—

"B" TYPE, #40/#41 (#420) CHAIN

#40/41 CHAIN	5/8" BORE	3/4" BORE
TEETH	PART	PART
8	2101-K*	—
9	2102	2163 (11/16" BORE)
10	2103	2110
11	2104	2111
12	2105	2112
13	2106	2113
14	2107	2114
17	2108	—

*All Sprockets on this page with a "K" in their Part No. have a key broached into the hub rather than a keyway. No key is needed.

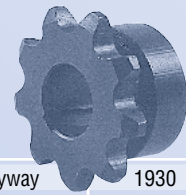
"B" TYPE, #219 & #415 CHAIN, 3/4" BORE

TEETH	#219 PART	#415 PART
10	—	1970
11	—	1971
12	1952-K*	1972
13	1953-K*	1973
14	1954	1974
15	1955	—
16	1956	—
17	1957	—
18	1958	—

"B" TYPE, #40 CHAIN

For #40 Chain, 3/4" Bore		For Honda & other 22mm Shafts with 7mm Keyway	
TEETH	PART	TEETH	PART
10	1919	12	2172
11	1920	13	2173
		14	2174
		15	2175
		16	2176
		17	2177

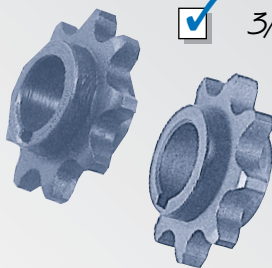
10° TAPERED "B" TYPE FOR YAMAHA



#35	9 Tooth - 10° Tapered Bore w/Keyway	1930
#35	10 Tooth - 10° Tapered Bore w/Keyway	1931
#35	11 Tooth - 10° Tapered Bore w/Keyway	1932
#219	10 Tooth - 10° Tapered Bore w/Keyway	1940
#219	11 Tooth - 10° Tapered Bore w/Keyway	1941
#219	12 Tooth - 10° Tapered Bore w/Keyway	1942

"C" TYPE SPROCKETS FOR #35, #40 & #40/#41 (#420) CHAIN

- No Set Screw
- 3/16" Keyway
- 5/8" Bore†



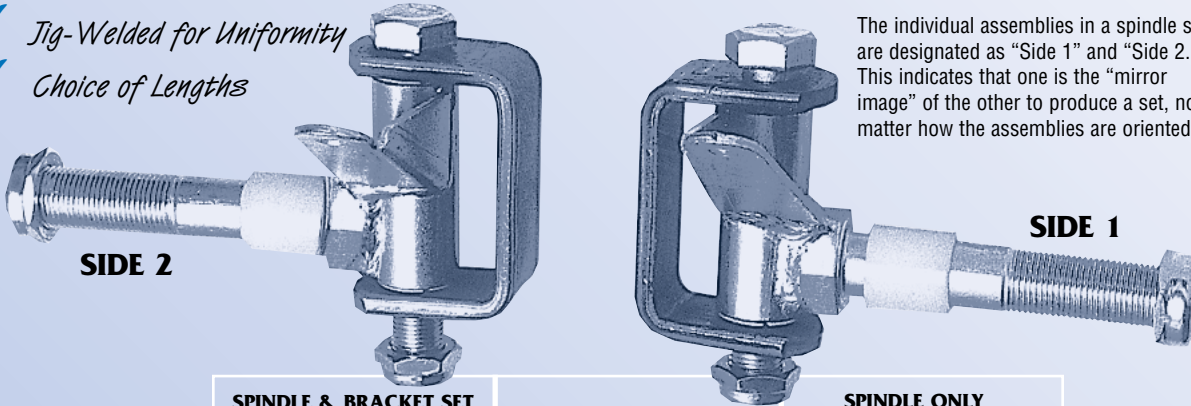
CHAIN	TEETH	PART	CHAIN	TEETH	PART
#35	10	2189-K*	#40/#41 (#420)	8	2182-K*
#35	11	2190-K*	#40/#41 (#420)	9	2180
#35	12	2191	#40/#41 (#420)	10	2181
#35	13	2192	#40/#41 (#420)	11	2198
#35	14	2193	#40/#41 (#420)	12	2199
#35	15	2194	#40/#41 (#420)	12	2195†
			Full #40	10	1918

† Part No. 2195 has a 3/4" Bore

SPINDLE SETS and Components

JIG-WELDED SPINDLES – 5/8" KINGPIN

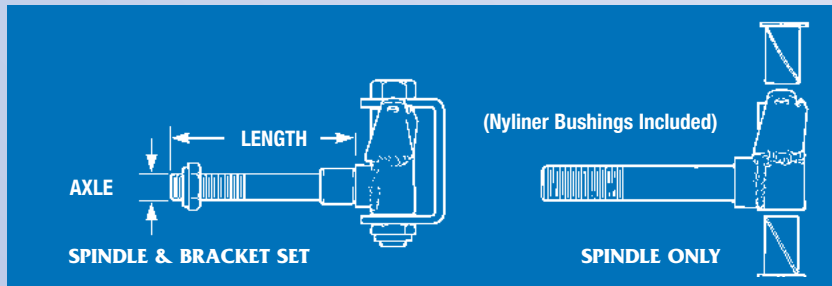
- ✓ Bushings, Spacers & Locknuts Included in Kits
- ✓ Two Axle Diameters – 5/8" & 3/4"
- ✓ Jig-Welded for Uniformity
- ✓ Choice of Lengths



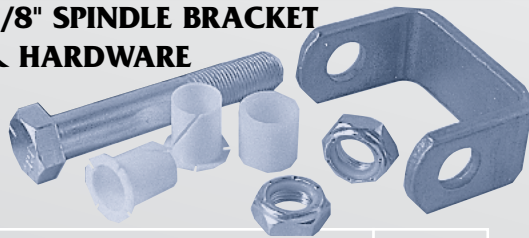
The individual assemblies in a spindle set are designated as "Side 1" and "Side 2." This indicates that one is the "mirror image" of the other to produce a set, no matter how the assemblies are oriented.

SPINDLE & BRACKET SET				SPINDLE ONLY	
SIDE 1	SIDE 2	AXLE	LENGTH	SIDE 1	SIDE 2
2204	2205	5/8-18	3.75"	2206	2207
2235	2236	5/8-18	4.50"	2237	2238
2512	2513	5/8-18	6.00"	2514	2515
2200	2201	3/4-16	3.75"	2202	2203
2231	2232	3/4-16	4.50"	2233	2234
2516	2517	3/4-16	6.00"	2518	2519

Unwelded Components Available. See page 35.

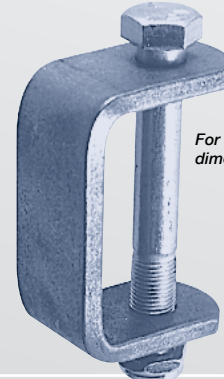


5/8" SPINDLE BRACKET & HARDWARE



COMMON TO 5/8" & 3/4" SPINDLE SETS	PART
Spindle Bracket for 5/8" Kingpin	8171
Kingpin Bolt 5/8-18 x 3-3/4"	8447
Kingpin Nut 5/8-18 Nylon Insert Locknut	8515
Nyliner Bushings (2 required)	8215
5/8" SPINDLE AXLE	PART
Nylon Spacer 5/8" ID	8328
Nylon Insert Locknut 5/8-18	8515
3/4" SPINDLE AXLE	PART
Nylon Spacer 3/4" ID	8329
Nylon Insert Locknut 3/4-16	8516

1/2" SPINDLE BRACKET & HARDWARE



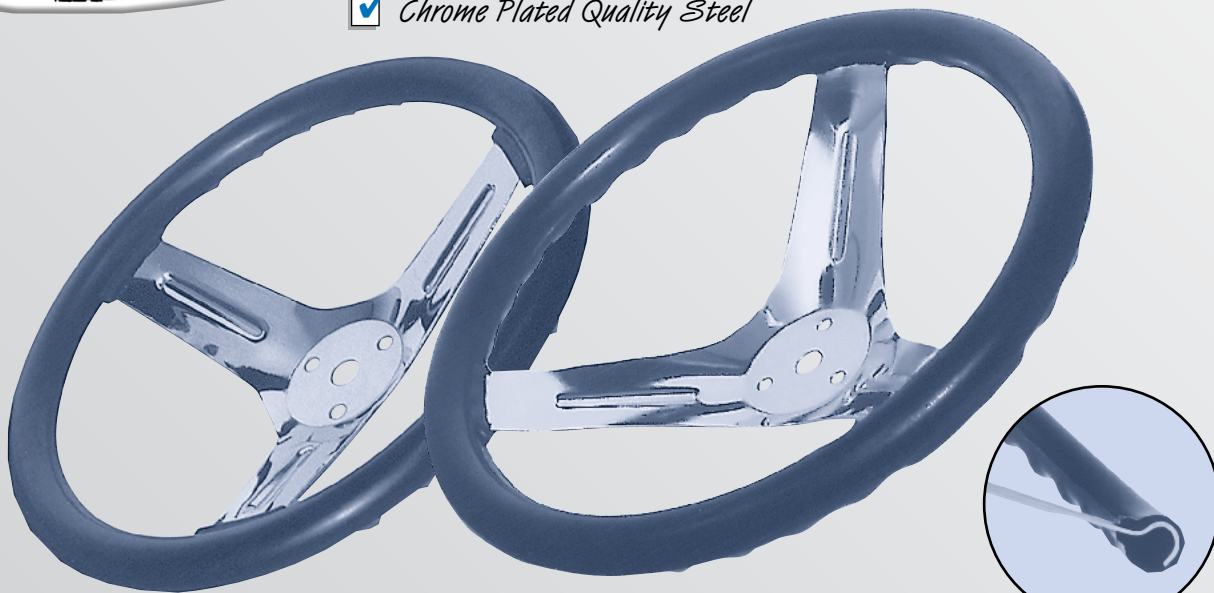
For Spindle Bracket dimensions, see page 35

COMPONENTS	PART
Spindle Bracket For 1/2" Kingpin	8181
Kingpin Bolt 1/2-20 x 3.75"	8446
Locknut - 1/2-20	8514

Steel & Aluminum Steering Wheels

NEOPRENE COMPETITION STEERING WHEEL

- ✓ Two Diameters - 10" & 12"
- ✓ Solvent-Proof Neoprene
- ✓ One Piece Construction - No Welds
- ✓ 2 Bolt Circles
- ✓ Chrome Plated Quality Steel



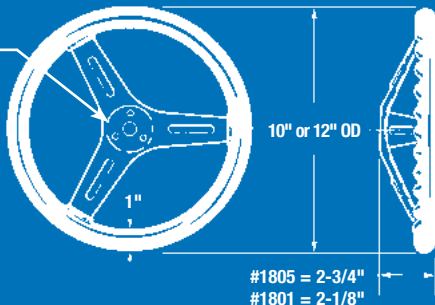
10" DIAMETER #1801

12" DIAMETER #1805

SOLID NEOPRENE OVER STEEL

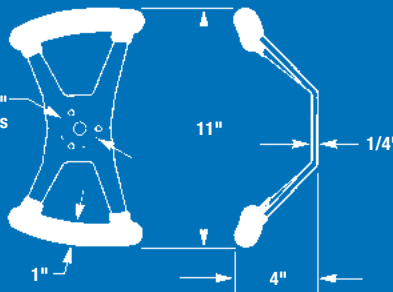
DIMENSIONAL DIAGRAMS

2 Bolt Circles:
1-5/8" w/ 1/4" diameter holes
1-3/4" w/ 5/16" diameter holes



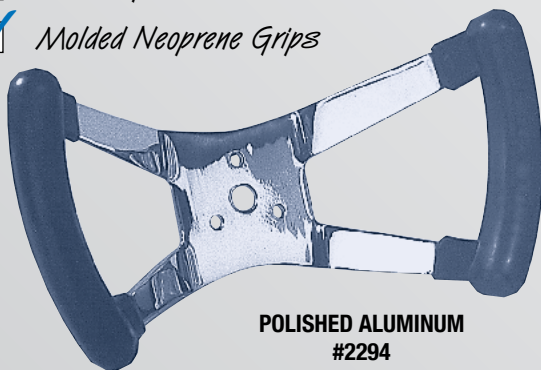
#1805 = 2-3/4"
#1801 = 2-1/8"

1-5/8" w/ 1/4" diameter holes

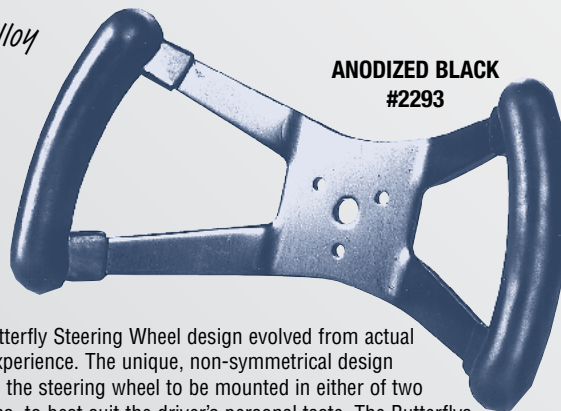


ALUMINUM BUTTERFLY STEERING WHEELS

- ✓ Non-Flexing, Strong 1/4" Tempered Aluminum Alloy
- ✓ Choice of Black Anodized or Polished Aluminum
- ✓ Molded Neoprene Grips



POLISHED ALUMINUM #2294



ANODIZED BLACK #2293

The Butterfly Steering Wheel design evolved from actual track experience. The unique, non-symmetrical design enables the steering wheel to be mounted in either of two positions, to best suit the driver's personal taste. The Butterflies also feature neoprene compound grips to resist fuels and lubricants -- just soft enough to dampen vibration without being spongy.



STEERING SHAFT & HUB ASSEMBLIES 5/8"



- Fits All Azusa Steering Wheels
- Heavy Duty Pitman Arms
- 2 Bolt Circles: 1-5/8" & 1-1/2" Diameter
- Splined Shaft and Hub for Perfect Alignment

O.E.M.s:
OTHER LENGTHS
AVAILABLE IN
QUANTITY

COMPLETE STEERING SHAFT KITS

LENGTH	ARMS NOT WELDED	ARMS WELDED
22"	1868-22	1867-22
24"	1868-24	—
25"	1868-25	1867-25
28"	1868-28	1867-28
34"	1868-34	1867-34

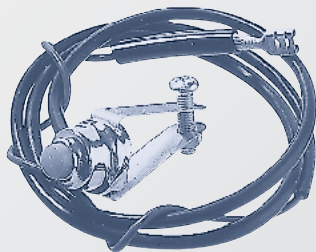
STEERING KIT, LESS SHAFT

Hardware Kit with Pitman Arms		1873
Hardware Kit without Pitman Arms		1874
KIT COMPONENTS	QUANTITY	PART
Hub-splined - two bolt circles	(1)	8134
Pitman Arms - 5/16" bolt hole	(2)	8129
Collar w/Set Screw	(2)	8554
Hex nut - slotted 1/2-20	(1)	8528
Bolts w/hole 1/4-28 x 3/4"	(3)	8412
Hex Nut - slotted 1/4-28	(3)	8527
Cotter Pin - 3/32" x 3/4"	(1)	8418
Cotter Pin - 1/16" x 1/2"	(3)	8419
Snap Ring	(1)	8322

STEERING SHAFTS, 5/8" SPLINED WITH SNAP RING

LENGTH	SHAFT	SHAFT WITH WELDED ARMS
6"	8137-6	—
22"	8137-22	8140-22
24"	8137-24	—
25"	8137-25	8140-25
28"	8137-28	8140-28
34"	8137-34	8140-34

KILL BUTTON SWITCH

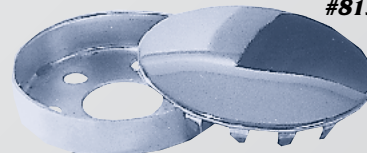


This spring loaded ground contact switch fits both 7/8" and 1" frame or handle bars. A 36" shielded wire, with a spade type end fitting is assembled for fast installation. Plated and a real safety feature for all vehicles.

DESCRIPTION	PART
Kill Switch, Skin Packed	1721
Kill Switch, Bulk	1721-B

STEERING WHEEL CAP ASSEMBLY

SNAP-IN CAP, CHROMED
#8136



MOUNTING CUP,
PLATED #8135

Chrome plated steel, this is the perfect mate for Azusa's Steering Wheels. Fits either 1-1/2" or 1-5/8" bolt circle.



AVAILABLE
IN ATTRACTIVE
SKIN PACK

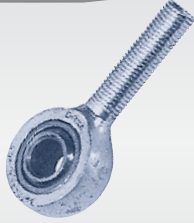
DESCRIPTION	PART
Steering Wheel Cap Assembly, Pkgd	1877
Steering Wheel Cap Assembly, Bulk	1877-A



ROD END BEARINGS

Your Choice of Deluxe or Economy Type

JAM NUTS



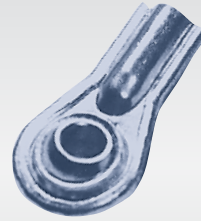
DELUXE TYPE - MALE

SIZE	RIGHT HAND THREAD	LEFT HAND THREAD
1/4-28	8250-R	8250-L
5/16-24	8248	8249
8mm	8251-R	8251-L
3/8-24	8246	8247
1/2-20	8272	8272-L



DELUXE TYPE - FEMALE

SIZE	RIGHT HAND THREAD	LEFT HAND THREAD
1/4-28	8252-L	8252-R
5/16-24	8221	8221-L
3/8-24	8244	8244-L
7/16-20	8245	—



ECONOMY TYPE - FEMALE

SIZE	RIGHT HAND THREAD	LEFT HAND THREAD
5/16-24	8220	8220-L
3/8-24	8243	8243-L



DESCRIPTION	PART
1/4-28 Right	8531
1/4-28 Left	8537
8mm Right	8540
8mm Left	8541
5/16-24 Right	8523
5/16-24 Left	8529
3/8-24 Right	8512
3/8-24 Left	8530
1/2-20 Right	8542
7/16-20 Right	8513
5/8-18	8524
3/4-16	8525

For Tie Rods, see page 15

THROTTLE AND BRAKE CONTROL ROD KIT

BRAKE CONTROL ROD KIT

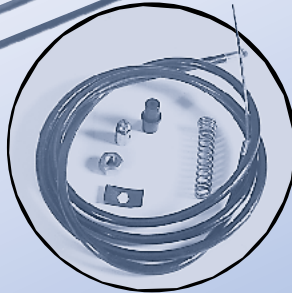
COMPLETE KIT	2281
KIT COMPONENTS	PART
Brake Rod, 1/4" Dia., Black Oxide Finish 40-1/2" Long, 1/4-28 Rolled Thread	8218
Clevis, Forged 1/4-28	8354
Clevis Pin, w/Hole	8355
Cotter Pin, 1/16" x 1/2"	8419
Tinnerman Nut	8505



**BRAKE KIT
(LESS ROD)
#2279**

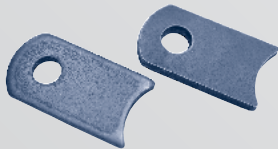
THROTTLE CONTROL ROD KIT

COMPLETE KIT	2280
KIT COMPONENTS	PART
Throttle Rod, 1/4" Diameter, Black Oxide Finish 30" Long, 1/4-28 Rolled Thread w/Drilled Hole	8216
Wire Stop	2360
Spring, 1/4" x 1-7/8"	2383
Throttle Cable, 1/16" x 54" Cable; 50" Conduit	1751
Hex Nut, 1/4-28	8500
Tinnerman Nut	8505
Nylon Cable Guide	2381



**THROTTLE KIT
(LESS ROD)
#2278**

CONTROL ROD ANCHORS



Stamped steel anchors in two nominal gauges, 0.160" (8 ga) and 0.375" (3/8"), arc designed for 7/8" or 1" OD tubing, but may be welded anywhere. Hole accommodates 1/4" control rods.

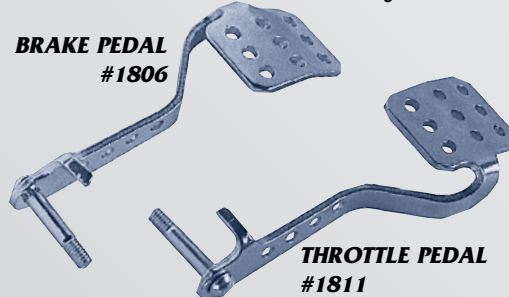
Rod Anchor, .160" (8 ga)	8182
Rod Anchor, .375" (3/8)	8176

For dimensions, see page 37

FOOT PEDALS

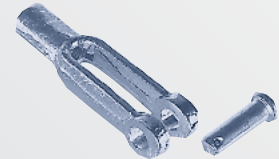
- Zinc Plated w/Built-In Stop
- Mounting Bolt,
5/16-18 x 1-3/4"
- 4 Position Rod Mounting

**BRAKE PEDAL
#1806**



**THROTTLE PEDAL
#1811**

CLEVIS & PIN - FORGED

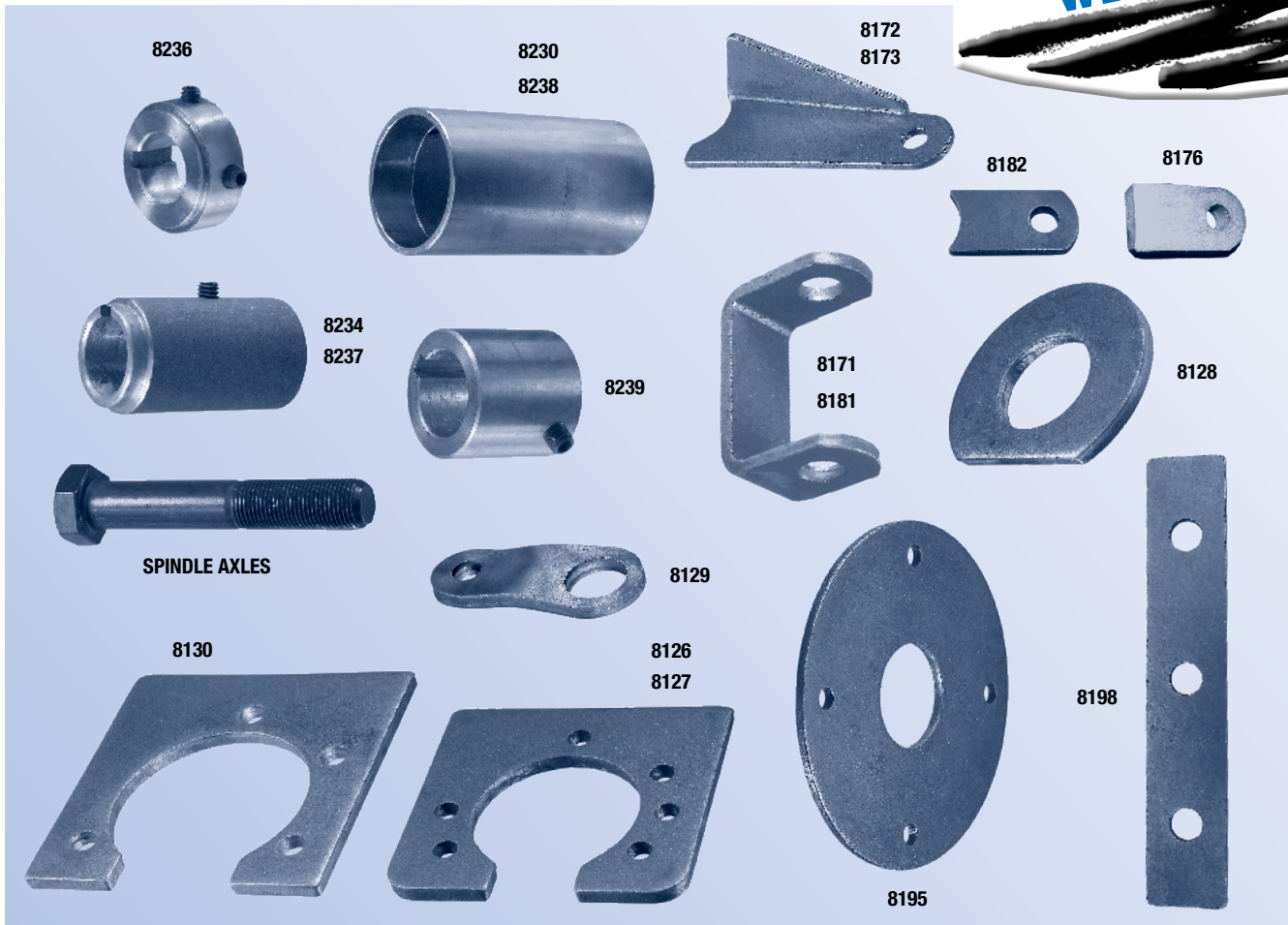


Strong, versatile, zinc plated, forged steel clevis. Shank drilled and tapped for 1/4-28 or 10-32. Clevis pin has cotter pin hole.

Clevis, Forged - 1/4-28	8354
Clevis, Forged - 10-32	8314
Clevis Pin	8355
Cotter Pin	8419

WELDMENTS

In response to OEMs who require custom designed welded assemblies, we provide the following weldable steel components of Azusa-design assemblies.



HUB FOR STEEL DISC
1" ID x 1-7/8" OD x 1/2" wide, two 5/16-18 set screw holes, and 1/4" KW

8236

HUB, 3/4" BORE, STEPPED
3/4" ID x 1-1/2" OD x 2-3/4" long, 1/4" X 1-5/16" OD shoulder, 3/16" KW & 5/16-18 set screw hole opposite

8234

HUB, 1" BORE, LONG
1" ID x 1-1/2" OD x 2-3/4" long, with 1/4" x 1-5/16" OD shoulder. 1/4" KW with set screw hole opposite.

8237

TUBE, TAPERED BEARING HUB,
2" OD x 1.782" ID x 3-5/8" long

8238

TUBE, BEARING HUB
1-5/8" OD x 1-3/8" ID x 3-1/2" long

8230

HUB, 1" BORE, SHORT
1" ID x 1-1/2" OD x 1-1/2" long. 5/16-18 set screw hole w/1/4" keyway.

8239

HUB, (WELDABLE STEEL SLEEVE) 1" BORE
1" ID x 1-3/8" OD x 2-1/2" long with 1/4" keyway

8299

HUB, 1" BORE, SHORT
1" ID x 1-1/2" OD x 1-1/2" long.

8239

BEARING HANGER, 1" AXLE
3-1/2" SQ x 1/4" thick. 5/16" hole pattern for two and three hole bearing flangettes.

8126

BEARING HANGER, 1" AXLE
3-1/2" SQ x 1/4" thick. 5/16" hole pattern for two and three hole bearing flangettes.

8127

BEARING HANGER, 1-1/4" AXLE
4" x 4-1/4" x 1/4" thick. 5/16" holes for two and three hole bearing flangette pattern.

8130

BEARING HANGER, JACKSHAFT
1-3/8" ID x 3" OD w/2" mounting edge x 1/4" thick

8128

SPINDLE ARM (SIDE 1)
3-3/4" x 1" with support wedge x 1/8" thick 5/16" bolt hole.

8172

SPINDLE ARM (SIDE 2)
3-3/4" x 1" with support wedge (opposite from side one) x 1/8" thick. 5/16" bolt hole.

8173

SPINDLE BRACKET, 5/8" KINGPIN
2-1/2" between ears, 1-1/4" clearance to bolt centerline. 1/4" thick x 1-3/16" wide. For 5/8" kingpin.

8171

SPINDLE BRACKET, 1/2" KINGPIN
2-1/2" between ears, 1-1/4" clearance to bolt centerline. 1/4" thick x 1-3/16" wide. for 1/2" kingpin.

8181

SPINDLE AXLES - UNPLATED:

5/8-18 x 3.75"
5/8-18 x 4.50"
5/8-18 x 6.00"
3/4-16 x 3.75"
3/4-16 x 4.50"
3/4-16 x 6.00"

8445

8457

8472

8444

8458

8471

PITMAN ARMS:
5/8" shaft hole, 5/16" bolt hole, 5 ga. (.210") 1-5/8" center to center with 3/16" offset

8129

ROD ANCHORS (FOR 1/4" ROD):
1-3/8" x 3/4" x 8 ga. (.160") thick with 1/4" hole.
1-3/8" x 3/4" x 3/8" (.375") thick with 1/4" hole.

8182

8176

STEEL DISCS:
4-7/8" OD, 1-5/16" bore, 4 holes on 4" bolt circle, 1/4" thick.
5" OD, 1-1/2" bore, 4 holes on 4" bolt circle, .165" thick.

8178

8195

STEEL MOUNTING BRACKET
5-1/2" x 1" x 1/8" thick, three 3/8" holes. 1-3/4" on center.

8198

ENGINE MOUNTING PLATES

5" x 12" flat
5" x 12" flat, heavy
8-3/4" x 7-3/4", with Lips

8190

8199

8191

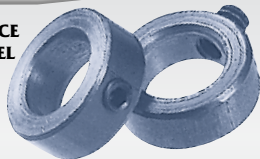
ENGINE SWING MOUNT PLATE

8155

DRIVE TRAIN Accessories

ONE-PIECE COLLARS, STEEL

w/Set Screw, w/o Keyway



LOCKING COLLARS

- English & Metric Sizes
- One-Piece, or Split with Keyway
- Steel or Billet Aluminum
- Plated (except*)



(Hardware Included)

SPLIT COLLARS, STEEL

ID	OD	WIDTH	PART
1/4"	1/2"	5/16"	8562
5/8"	1"	3/8"	8555
5/8"	1-1/8"	1/2"	8554
3/4"	1-1/4"	9/16"	8560
7/8"	1-1/2"	9/16"	8564
1"	1-5/8"	5/8"	8565
12mm	1"	5/8"	8550*
15mm	1-1/8"	1/2"	8556

†Not Plated

ID	OD	WIDTH	KW	PART
5/8"	1-15/16"	7/16"	—	8561†
3/4"	1-3/4"	1/2"	—	8551†
1"	1-3/4"	1/2"	1/4"	8557
1-1/4"	2"	1/2"	1/4"	8558
1-3/8"	2-1/4"	1/2"	1/4"	8559
35mm	2-1/4"	1/2"	5/16"	8553
40mm	2-1/2"	1/2"	5/16"	8552
50mm	73mm	15mm	8mm	8568

†No Keyway

SPLIT COLLARS, BILLET ALUMINUM

ID	OD	WIDTH	KW	PART
1"	1-3/4"	1/2"	1/4"	8578
1-1/4"	2"	1/2"	1/4"	8579
25mm	44mm	12mm	6mm	8572
40mm	2-1/2"	1/2"	5/16"	8580
50mm	73mm	15mm	8mm	8569

COMPLETE KITS

SIZE	CHAIN SIZE	PART
5/8" x 10"	#35	1826-10
5/8" x 12"	#35	1826-12
5/8" x 14"	#35	1826-14
3/4" x 14"	#40/#41 (#420)	1821-14
3/4" x 14"	#40/#41 (#420)	1824-14

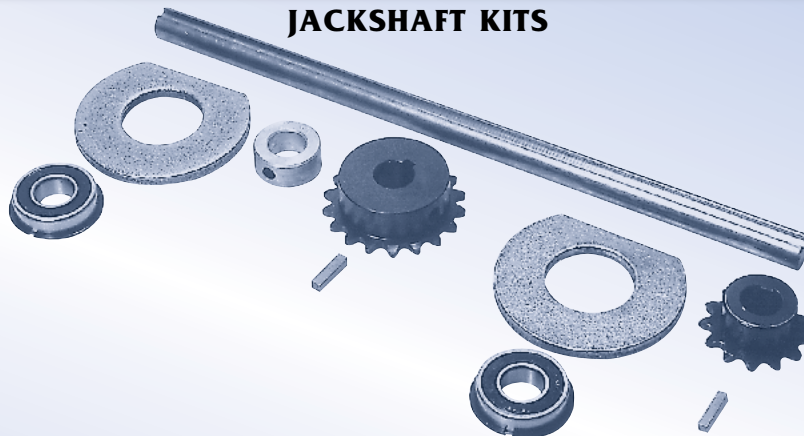
JACKSHAFTS ONLY

OD	LENGTH	KEYWAY	PART
5/8"	4.5"	3/16"	8175-4
5/8"	10.0"	3/16"	8175-10
5/8"	12.0"	3/16"	8175-12
5/8"	14.0"	3/16"	8175-14
5/8"	16.0"	3/16"	8175-16
3/4"	10.0"	3/16"	8183-10
3/4"	14.0"	3/16"	8183-14
3/4"	19.0"	3/16"	8183-19

THREADED JACKSHAFTS ONLY 5/8-18 Threads

OD	LENGTH	KEYWAY	PART
5/8"	8.00"	3/16"	8180-8
5/8"	10.0"	3/16"	8180-10
5/8"	12.0"	3/16"	8180-12
5/8"	14.0"	3/16"	8175-14
5/8"	16.0"	3/16"	8175-16

JACKSHAFT KITS



Components, #35 Chain

DESCRIPTION	PART
13 Tooth Sprocket, 5/8" ID	2127
18 Tooth Sprocket, 5/8" ID	2132
Bearing Hanger (2 required)	8128
Choice of one: 10"	8175-10
5/8" Jackshaft w/ 12"	8175-12
3/16" Keyway 14"	8175-14
Sealed, Precision Bearings (need 2)	8205
Keys, 3/16" x 3/16" x 3/4" (need 2)	8454
Collar, 5/8" ID	8554

Components, #40/#41 (#420) Chain

DESCRIPTION	PART
10 Tooth Sprocket, 3/4" ID	2110
14 Tooth Sprocket, 3/4" ID	2114
Bearing Hanger (2 required)	8128
Jackshaft, 3/4" x 14", 3/16" Keyway	8183-14
Standard Bearings, 3/4" ID (need 2) -OR-	8201
Ground Sealed Bearings, 3/4" ID (need 2)	8273
Keys, 3/16" x 3/16" x 3/4" (need 2)	8454
Collar, 3/4" ID	8560

SWING MOUNT KIT



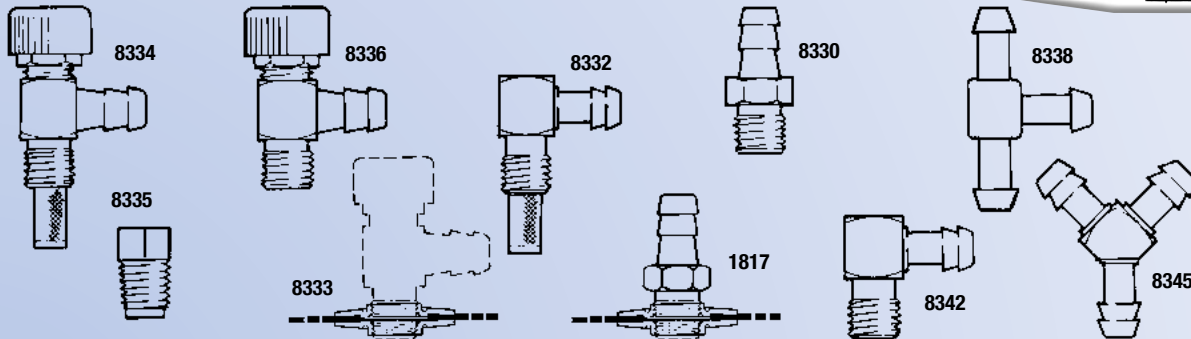
This Swing Mount Kit will fit most vehicles with a 1" Live Axle. The engine mounting plate allows you a variable angle. Can be used with two or three hole flanges.

DESCRIPTION	PART
Complete Assembly	1879
Hardware Only	1878

COMPONENTS

DESCRIPTION	NEEDED	PART
Steel Mounting Unit	1	8155
Bearings, with Hub, 1" ID	2	8211
Flangettes, 2 Hole	4	8212
Rubber Grommets	2	8316
Grommet Washers	2	8317
Bolt, 5/16-18 x 1-3/4"	1	8407
Bolts, 5/16-18 x 3/4"	4	8421
Locknuts, 5/16-18	5	8510

QUALITY FITTINGS



DESCRIPTION	PART	DESCRIPTION	PART	DESCRIPTION	PART
Valve, single with Filter 1/8" N.P.T.	8334	Valve, single 1/8" N.P.T.	8336	Fitting, 90° Elbow 1/8" N.P.T.	8342
Plug, 1/8" N.P.T.	8335	Fitting, 1/8" straight N.P.T.	8330	"T" Fitting Delrin®	8338
90° Elbow with Filter 1/8" N.P.T.	8332	Tank Drain Fitting - 1/8" N.P.T.	8333	"Y" Fitting Delrin®	8345
		Fuel Line Adapter Kit	1817		

POLYURETHANE FUEL LINE #1887

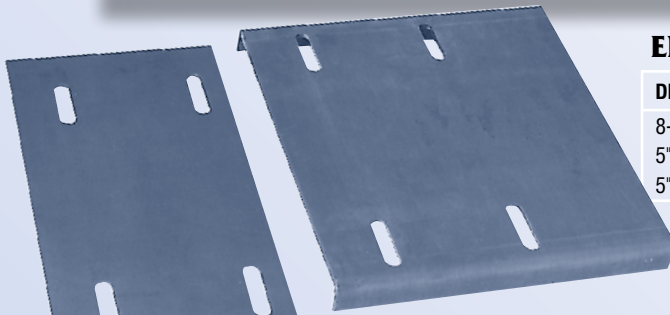


Twice the tensile and burst strength of vinyl and many times the abrasion resistance, this tough urethane Fuel Line will withstand millions of flexes. Low kinkage and excellent grab. The best! 1/4" ID x 3/8" OD.

FENDER WASHERS



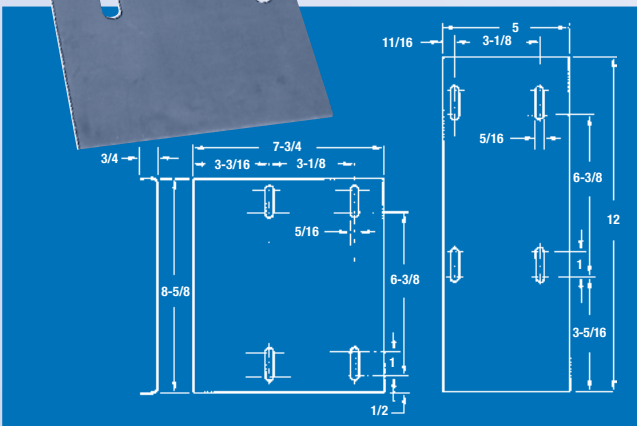
DIMENSIONS	PART	DIMENSIONS	PART
3/16" ID x 1" OD	8371	3/8" ID x 1-1/2" OD	8375
3/16" ID x 1-1/4" OD	8372	3/8" ID x 2" OD	8376
1/4" ID x 1" OD	8373	1/2" ID x 1-1/2" OD	8377
1/4" ID x 1-1/2" OD	8374	1/2" ID x 2" OD	8378



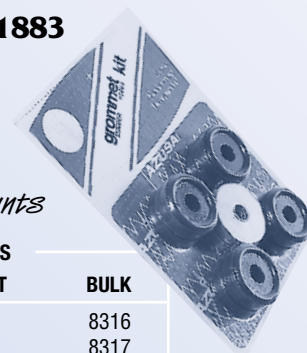
ENGINE MOUNTING PLATES

DESCRIPTION	PART
8-3/4" x 7-3/4", With Lips	8191
5" x 12", Flat	8190
5" x 12", Flat, Heavy	8199

- Heavy Gauge Steel
- Slotted Mounting Holes



RUBBER GROMMET KIT #1883



- Fairing Mounts
- Engine Shock-Mounts

DESCRIPTION	COMPONENTS	
	KIT	BULK
Rubber Grommets	8	8316
5/16 x 1-1/4" Washers	8	8317

CONTROL CABLES and Fittings

7 x 7 Cable. Seven strands of seven wires each. Very flexible. Recommended for twist grip use.

1 x 19 Cable. One strand on 19 wires. Less flexible but stronger. Recommended for brake assemblies.

STRANDED CONTROL CABLE Galvanized with Swaged Ball

PRE-CUT LENGTHS

CABLE DIAMETER	LENGTH	FOR CONDUIT	7 x 7 TYPE	1 x 19 TYPE
3/64	54"	3/16	2306	2307
3/64	64"	3/16	2327	—
3/64	84"	3/16	2328	2304
3/64	120"	3/16	2308*	—
3/64	120"	3/16	2323	—
1/16	12"	7/32	2324	—
1/16	54"	7/32	2301	2302
1/16	96"	7/32	2329	2300
1/16	96"	7/32	—	2330†
1/16	120"	7/32	2325	—
5/64	56"	1/4	2326	—
5/64	60"	1/4	—	2305
5/64	60"	1/4	—	2305-6mm
5/64	64"	1/4	—	2334*
5/64	84"	1/4	—	2303
5/64	84"	1/4	—	2303-6mm
5/64	120"	1/4	—	2321
5/64	120"	1/4	—	2336*
3/32	68"	9/32	—	2331
3/32	120"	9/32	—	2335*

*Barrel End.
†Stainless Steel Hex End for applications near heat.
-6mm Large (6mm) Swaged Ball Ends.

BULK CABLE - 50 Foot Minimum

DIAMETER	CONDUIT	7 x 7	1 x 19
3/64	3/16	2343	2344
1/16	7/32	2340	2341
5/64	1/4	—	2342

LINED CONDUIT Poly-Lined - Cut to Length

PRE-CUT LENGTHS

CONDUIT DIAMETER	COVER OD	LENGTH	FOR CABLE	PART
3/16	.218	50"	3/64	2318-50
3/16	.218	58"	3/64	2318-58
3/16	.218	78"	3/64	2318-78
7/32	.255	50"	1/16	2314-50
7/32	.255	92"	1/16	2314-92
7/32	.255	116"	1/16	2314-116
1/4	.278	54"	5/64	2315-54
1/4	.278	78"	5/64	2315-78
9/32	.310	60"	3/32	2322-60
9/32	.310	66"	3/32	2322-66
9/32	.310	108"	3/32	2322-108

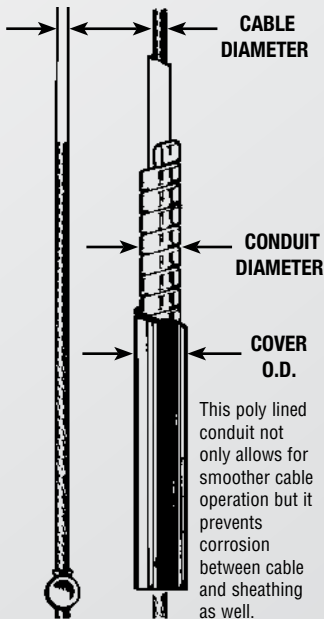
Conduit is available in any length. Call for a quote.

BULK CONDUIT - 50 Foot Rolls

DIAMETER	FOR CABLE	PART
3/16	3/64	2318
7/32	1/16	2314
1/4	5/64	2315
9/32	3/32	2322

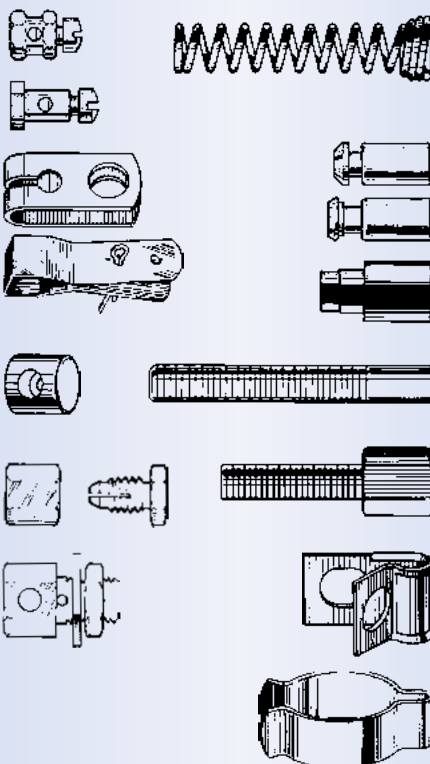
COMPATIBILITY CHART

Conduit Part	2318	2314	2315	2322
Conduit Clip-3/4" Tube	2378	2378	2378	—
Conduit Clip-7/8" Tube	2374	2375	2375	—
Conduit Clip-1" Tube	2377	2377	2377	—
Conduit Clamp	2379	2379	2380	2380
Conduit Retainers	—	2372	—	—
	—	2373	—	—
	—	—	—	2371
	—	2386	2387	—
Conduit Button	—	2369	2370	—
Cable Guide	2381	—	—	2394



CONTROL CABLE FITTINGS

OD	ID	LENGTH	CABLE DIA.	PART
WIRE STOPS				
1/4	8-32	3/8"	3/32 Max.	2360
WIRE SWIVELS				
1/4	8-32	.240"	3/32 Max.	2361
CLEVISES				
1/4" Hole	1/2" Wide	1-1/8"	3/32 Max.	2366
1/16" Hole	3/8" Wide	1-1/4"	1/16 Max.	8157
BALL ADAPTERS (For 3/16 Ball)				
1/4	—	1/4"	3/32 Max.	2365
1/4	—	3/8"	3/32 Max.	2362
9/32	—	1/4"	3/32 Max.	2363
3/8	—	3/8"	3/32 Max.	2364
CABLE ANCHORS				
5/16	1/4-28	5/8"	3/64 Max.	2367
ROD / CABLE COUPLERS				
5/8	1/4-28	1"	3/32 Max.	2389

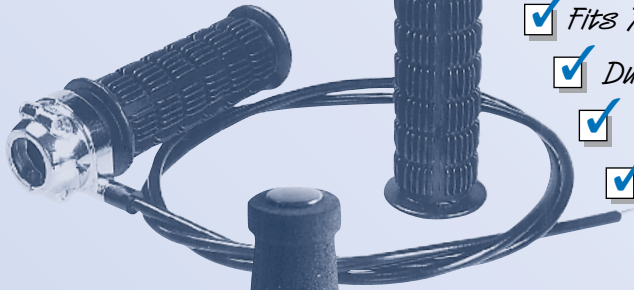


OD	ID	LENGTH	CONDUIT	PART
SPRINGS				
.350	1/4	1-7/8	7/32	2383
.350	1/4	2-1/4	7/32	2392
.350	1/4	3	7/32	2391
.438	5/16	3-1/8	1/4	2390
CONDUIT BUTTONS				
.316	.260	3/4	7/32	2369
.375	.290	3/4	1/4	2370
GRIP ADAPTER/CABLE GUIDE				
.437 x.312	.225 x.100	3/4	3/16	2381
.437 x.312	.275 x.100	7/8	9/32	2394
CONDUIT RETAINERS - STRAIGHT				
5/16-24	.260	2	7/32	2386
5/16-24	.287	2	1/4	2387
CONDUIT RETAINERS - STEPPED				
5/16-24	.260	1	7/32	2372
1/4-28	.260	1-1/2	7/32	2373
5/16-18	.312	1-5/16	—	2371
CONDUIT CLAMPS				
—	7/32	—	3/16 & 7/32	2379
—	1/4	—	1/4 & 9/32	2380
CONDUIT CLIPS				
3/4" Tube	—	—	7/32 & 1/4	2378
7/8" Tube	—	—	7/32, 3/16 & 1/4	2374
1" Tube	—	—	7/32 & 1/4	2377



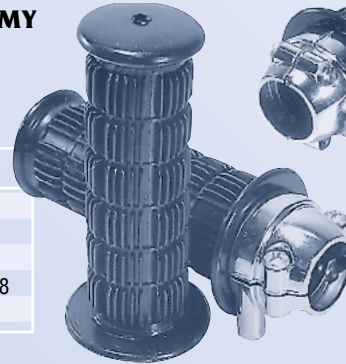
THROTTLE ASSEMBLIES

DELUXE #2352
(Lined Conduit)



- 7 x 7 Cable, 1/16" OD x 54"
- Fits 7/8" OD Handle Bars
- Dummy Grip Included
- With 50" Premium Lined Slippery Conduit
- Or, 50" Flexible Unlined Conduit

FOAM DUMMY GRIP #2347



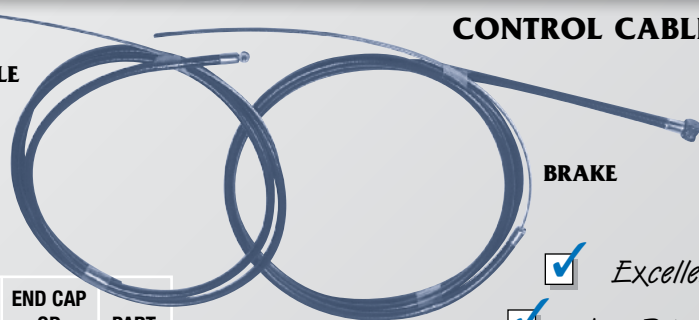
ECONOMY #2359
(Unlined Conduit)



DESCRIPTION	7/8"	1"
Throttle Kit, 50" Cable & Lined Conduit	2352	—
Throttle Kit, 50" Cable & Unlined Conduit	2359	—
Throttle Kit Less Cable & Conduit	2350	—
Matching Dummy Grips Only	2349	2348
Foam Dummy Grips Only	2347	—

O.E.M.s:
We can make control cable assemblies to your specs from components on [page 40](#). Check with our sales department.

THROTTLE



CONTROL CABLES

BRAKE

APPLICATION	CABLE LENGTH	CABLE OD	CONDUIT LENGTH	END CAP OD	PART
Throttle	54"	1/16"	50"	.210	1751
Throttle	54"	1/16"	50"	.210	1756*
Brake	64"	5/64"	60"	.370	1752
Brake	56"	5/64"	52"	.370	1753
Brake	56"	5/64"	48"	.370	1754

- Excellent Quality
- Low Price
- Installed Conduit Caps
- Barrel End, except* Ball End

PROFESSIONAL BRAKE LEVER FOR 7/8" HANDLEBARS #1731



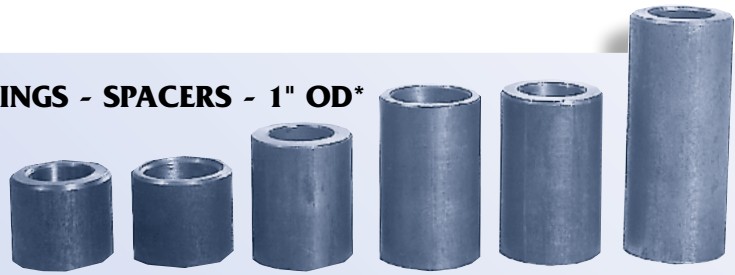
- Split Mounting Collar
- Rugged Steel Handle with Classic Ball End
- Complete with Adjusting Hardware



REPLACEMENT ADJUSTER #2371



STEEL BUSHINGS - SPACERS - 1" OD*



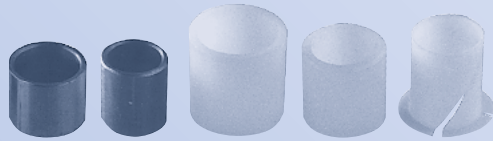
REDUCER BUSHINGS / SPACERS

MATERIAL	OD	ID	LENGTH	PART
Steel	5/8"	1/2"	3/4"	2184
Steel	3/4"	5/8"	5/8"	8271
Nylon	13/16"	5/8"	13/16"	8328
Nylon	15/16"	3/4"	15/16"	8329
Nyliner-Split	11/16"	5/8"	7/8"	8215
Aluminum	5/16"	5/8"	3/4"	8337
Aluminum	1-1/4"	1"	1-1/4"	8362

ID	LENGTH	PART
5/16"	1/2"	8315*
5/8"	1/4"	8366
5/8"	.430"	8612
5/8"	5/8"	8368
5/8"	3/4"	8350
5/8"	7/8"	8324
5/8"	1"	8390
5/8"	1-1/8"	8363
5/8"	1.175"	8611
5/8"	1.225"	8610
5/8"	1-1/4"	8321
5/8"	1-3/8"	8367
5/8"	1-1/2"	8380
5/8"	1-5/8"	8323

ID	LENGTH	PART
5/8"	1-3/4"	8318
5/8"	1-7/8"	8356
5/8"	2-1/4"	8357
5/8"	2-1/2"	8369
5/8"	5"	8358
11/16"	1-1/4"	8359
11/16"	2-7/16"	8327
3/4"	1/2"	8325
3/4"	5/8"	8364
3/4"	1-1/4"	8361
3/4"	1-5/8"	8320
3/4"	1-7/8"	8360
3/4"	3/4"	8331*

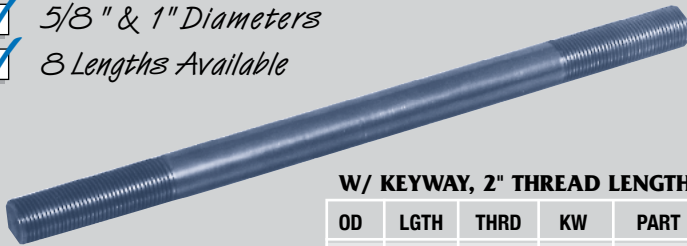
Any size available in O.E.M. quantities.



*All 1" OD except: 8315 - 5/8" OD; 8331 - 1-1/4" OD

MINI AXLES - STEEL

- 5/8" & 1" Diameters
- 8 Lengths Available



W/ KEYWAY, 2" THREAD LENGTH

OD	LGTH	THRD	KW	PART
5/8"	8.0"	5/8-18	3/16"	8180-8
5/8"	10.0"	5/8-18	3/16"	8180-10
5/8"	12.0"	5/8-18	3/16"	8180-12
5/8"	14.0"	5/8-18	3/16"	8180-14
1.0"	14.0"	1-14	1/4"	8122-14
1.0"	16.0"	1-14	1/4"	8122-16
1.0"	18.0"	1-14	1/4"	8122-18

5/8" OD, W/O KEYWAY

LGTH	THRD	THRD LGTH	PART
6-3/4"	5/8-18	1.00"	8121-7
8"	5/8-18	2.00"	8120-8
8-3/4"	5/8-18	1.00"	8121-9
10"	5/8-18	2.00"	8120-10

AXLE NUTS



LOCKNUTS	THREAD	PART
Thin Profile, Nylon Insert	1/2-20	8514
	5/8-18	8515
	5/8-11	8509
	3/4-16	8516
	3/4-10	8517
1-14	8538	
JAM NUTS	THREAD	PART
<i>(for other nuts, see page 49)</i>		
	7/16-20	8513
	1/2-20	8542
	5/8-18	8524
	3/4-16	8525

DEEP DRAWN STEEL FENDERS

- For 4", 5", 6" and 8" Wheels
- Cold Rolled Steel
- Chromed or Unplated



HEIGHT	LENGTH	TIRE SIZE	MAX. TIRE WIDTH	PART	
				CHROMED	UNPLATED
3.75"	14.5"	4", 5", 6"	4.2"	1857	1855
4.00"	18.0"	8"	4.0"	1830	1829
4.75"	18.0"	6", 8"	5.5"	1866	1865

KICKSTAND & WELDABLE BRACKET

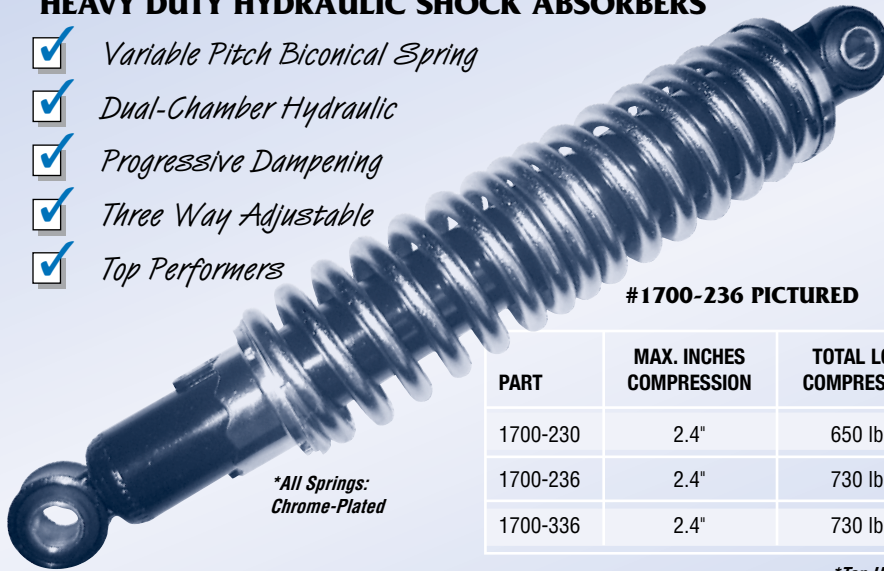


DESCRIPTION	PART
Kick Stand & Bracket Set	1727
Kick Stand w/Spring & Fastening Pin	1729
Weldable Bracket for Kick Stand	1728



HEAVY DUTY HYDRAULIC SHOCK ABSORBERS

- Variable Pitch Biconical Spring
- Dual-Chamber Hydraulic
- Progressive Dampening
- Three Way Adjustable
- Top Performers



#1700-236 PICTURED

Additional sizes available in O.E.M. quantities. (Min. Order 300 pcs.)

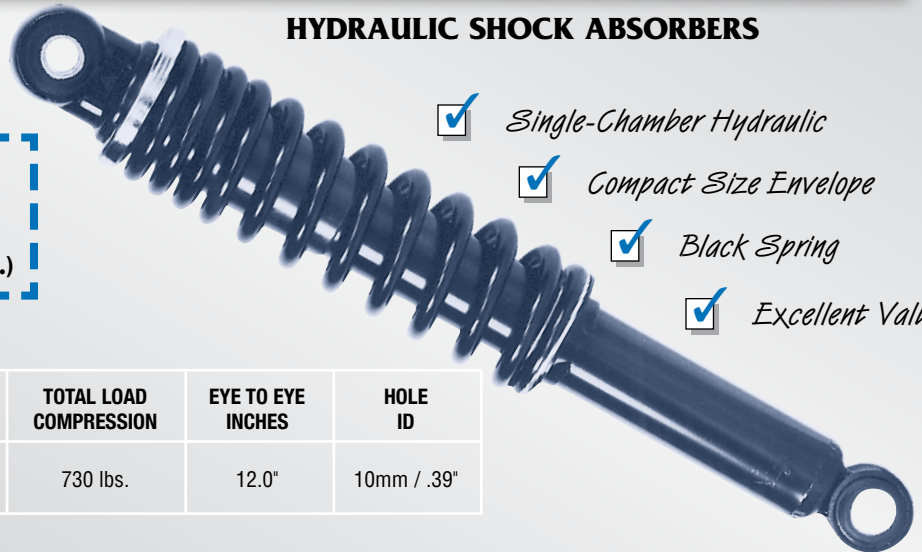
**All Springs: Chrome-Plated*

PART	MAX. INCHES COMPRESSION	TOTAL LOAD COMPRESSION	EYE TO EYE INCHES	HOLE ID
1700-230	2.4"	650 lbs.	12.0"	12mm / .47"
1700-236	2.4"	730 lbs.	12.0"	12mm / .47"
1700-336	2.4"	730 lbs.	12.0"	*

**Top Hole ID: 12mm/.47"; Bottom Hole ID: 10mm/.39"*

HYDRAULIC SHOCK ABSORBERS

Additional sizes available in O.E.M. quantities. (Min. Order 300 pcs.)

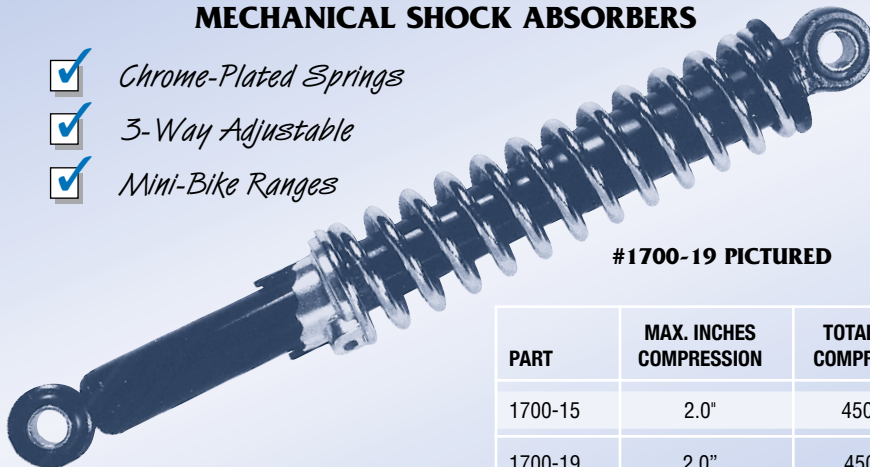


- Single-Chamber Hydraulic
- Compact Size Envelope
- Black Spring
- Excellent Value

PART	MAX. INCHES COMPRESSION	TOTAL LOAD COMPRESSION	EYE TO EYE INCHES	HOLE ID
1700-246	3.0"	730 lbs.	12.0"	10mm / .39"

MECHANICAL SHOCK ABSORBERS

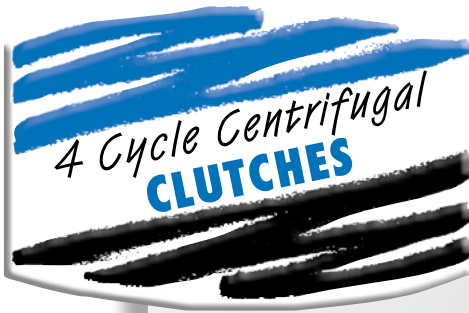
- Chrome-Plated Springs
- 3-Way Adjustable
- Mini-Bike Ranges



#1700-19 PICTURED

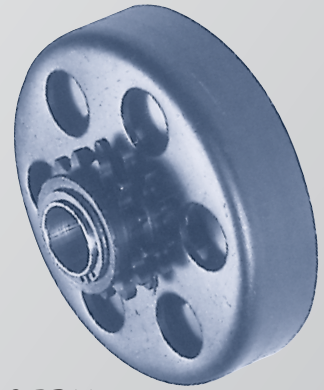
Additional sizes available in O.E.M. quantities. (Min. Order 300 pcs.)

PART	MAX. INCHES COMPRESSION	TOTAL LOAD COMPRESSION	EYE TO EYE INCHES	HOLE ID
1700-15	2.0"	450 lbs.	12.0"	3/8" / .375"
1700-19	2.0"	450 lbs.	12.0"	12mm / .47"
1700-17	2.0"	450 lbs.	12.0"	1/2" / .500"



**4 CYCLE CENTRIFUGAL CLUTCHES
FOR KARTS & MINI-BIKES**

**FOR 5/8" & 3/4" SHAFTS
2.5 TO 7 HORSEPOWER**



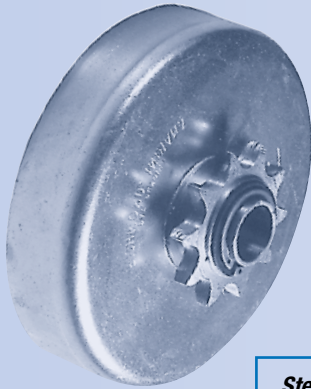
- Sintered Metal Clutch Shoes*
- For #35 & #40/41 (#420 Chain)*
- Works Clockwise or Counterclockwise*
- Smooth, Positive Engagement @ 1,800 to 2,000 RPM*

SHAFT SIZE	CHAIN SIZE	TEETH	PART
5/8"	#35	11	2221
5/8"	#35	12	2222
5/8"	#40/41 (#420)	10	2223

**Keys (3/16" x 3/16" x 1/2")
Not Included:
Order Part No. 8498**

SHAFT SIZE	CHAIN SIZE	TEETH	PART
3/4"	#35	12	2224
3/4"	#35	13	2225
3/4"	#40/41 (#420)	10	2220

FOR 1" SHAFTS, 2.5 TO 8 HORSEPOWER



- Sintered Metal Clutch Shoes*
- For #35 & #40/41 (#420 Chain)*
- Smooth, Positive Engagement @ 1,800 to 2,000 RPM*

**Stepped Down
to 7/16"**

SHAFT SIZE	CHAIN SIZE	TEETH	PART
1.00"	#35	12	2229
1.00"	#40/41 (#420)	10	2228

**Requires No
Additional Key**

FOR 1" SHAFTS, 2.5 TO 13 HORSEPOWER

- Sintered Metal Clutch Shoes*
- For #40/41 (#420 Chain)*
- Works Clockwise or Counterclockwise*
- Smooth, Positive Engagement @ 2,300 RPM*



SHAFT SIZE	CHAIN SIZE	TEETH	PART
1.00"	#40/41 (#420)	14	2219

**Requires No
Additional Key**

✓ High Quality Hardware (Grade 5) ✓ Hard To Find Items

✓ Eliminate Down Time ✓ Have Spares Available When You Need Them



BOLTS - HEX HEAD - Zinc Plated

1/4-20 x 1/2"	8413
1/4-20 x 5/8"	8410
1/4-20 x 2-1/2"	8489
1/4-28 x 1/2"	8463
1/4-28 x 3/4"	8416
1/4-28 x 1-1/2"	8415
5/16-18 x 3/4"	8421
5/16-18 x 1"	8422
5/16-18 x 1-1/4"	8431
5/16-18 x 1-1/2"	8487
5/16-18 x 1-3/4"	8407
5/16-18 x 2"	8464
5/16-18 x 2-1/4"	8449
5/16-18 x 2-1/2"	8448
5/16-18 x 2-1/2", Full Thread	8425
5/16-18 x 2-3/4"	8450
5/16-18 x 3"	8465
5/16-18 x 3-1/4"	8466
5/16-18 x 3-1/2"	8467
5/16-18 x 3-3/4"	8453
5/16-18 x 4"	8468
5/16-18 x 4-1/2"	8469
5/16-18 x 5"	8479
1/2-20 x 1-1/4" *	8459
1/2-20 x 3-3/4"	8446
5/8-18 x 3-3/4" *	8445
5/8-18 x 3-3/4"	8447
5/8-18 x 4-1/2" *	8457
5/8-18 x 6"	8472
3/4-16 x 3-3/4" *	8444
3/4-16 x 4-1/2" †	8458
3/4-16 x 6" *	8471

*Unplated (Weldable) †Round Head

BOLTS w/HOLE (1/16" Hole, 3/32" from End)

1/4-28 x 3/4"	8412
1/4-28 x 7/8"	8423
5/16-24 x 1-1/4"	8414
5/16-24 x 2"	8486
5/16-24 x 2-1/4"	8485
5/16-24 x 3-1/2"	8428
3/8-24 x 1-3/4"	8481
3/8-24 x 2-1/4"	8482
3/8-24 x 4"	8473

ANCHORS & ANCHOR BOLTS

Anchor/Lage, Expanding, 1/2"	8461
Anchor Bolt, Hex Head, 1/2" x 2"	8462

LOCKNUTS

1/4-20 (N)	8502
1/4-28 (N) Thin	8543
5/16-18(N)	8510
5/16-24(N) Thin	8533
8mm	8526
3/8-16 All Steel	8504
3/8-24(N) Thin	8534
3/8-24 All Steel	8503
1/2-20(N) Thin	8514
5/8-11(N) Thin	8509
5/8-18(N) Thin	8515
3/4-10(N) Thin	8517
3/4-16(N) Thin	8516
1-14 (N) Thin	8538

(N) = Nylon Insert

HEX NUTS

6-32	8539
10-32	8508
1/4-28	8500
5/16-18	8519
5/16-24	8501
8mm	8522
3/8-24	8507

JAM NUTS

1/4-28	8531
1/4-28 Left Hand	8537
5/16-24	8523
5/16-24 Left Hand	8529
8mm	8540
8mm Left Hand	8541
3/8-24	8512
3/8-24 Left Hand	8530
1/2-20	8542
7/16-20	8513
5/8-18	8524
3/4-16	8525

LUG NUTS

1/2-20	8532
--------	------

SLOTTED NUTS

1/4-28	8527
5/16-24	8535
3/8-24	8536
1/2-20	8528
5/8-18	8521
5/8-18 Thin	8518
3/4-16	8511

TINNERMAN NUT

For .225 Brake/Throttle Rod	8505
-----------------------------	------

HOSE CLAMPS - SPRING

For Bucket Seat - 11/16" ID	8346
-----------------------------	------

KEYS, MACHINE, & KEYSTOCK

3/16" x 3/16" x 1/2"	8498
3/16" x 3/16" x 3/4"	8454
3/16" x 3/16" x 1-1/4"	8442
3/16" x 3/16" x 2"	8436
3/16" x 1/4" x 1-1/4"	8434
1/4" x 1/4" x 1-1/4"	8435
3/16" x 3/16" x 12"	8400
3/16" x 1/4" x 12"	8404
1/4" x 1/4" x 12"	8403
7mm x 7mm x 12"	8402
5/16" x 5/16" x 12"	8408

KEYS - WOODRUFF

3/8" x 3/32" (#212)	8432
1/2" x 1/8" (#3)	8433

SMALL SCREWS

8-32 x 1/4" Filister Head	8460
10-32 x 3/8" Fillister Head	8440
10-32 x 3/4" Phillips Pan Head	8497
5/16-18 x 1-1/2" Fillster Head	8499

SET SCREWS

8-32 x 1/8"	8490
8-32 x 1/4"	8484
6mm x 7mm, Fine	8406
6mm x 6mm	8382
1/4-20 x 1/4"	8470
1/4-20 x 1/2"	8474
1/4-28 x 1/4"	8470-F
5/16-18 x 3/8"	8483

SNAP RINGS

For 5/8" Steering Shafts	8322
For 25mm Axles	8341
For 1" Axles	8343
For 1-1/4" Axles	8340
For 1-3/8" & 35mm Axles	8348
For 1-1/2" Axles	8344
For 40mm Axles	8339

SOCKETHEAD CAP SCREWS

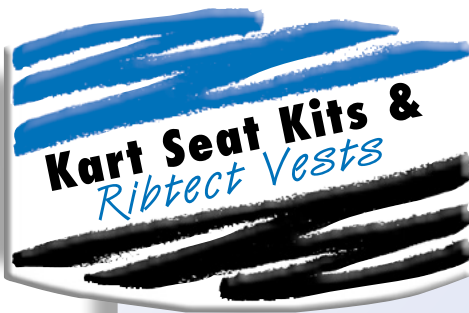
10-24 x 1"	8478
10-32 x 3/8"	8476
10-32 x 5/8"	8477
10-32 x 3/4"	8480
10-32 x 1-1/4"	8475
1/4-20 x 1/2"	8441
1/4-20 x 1/2" Button Head	8405
1/4-20 x 7/8"	8437
1/4-20 x 1"	8493
1/4-20 x 1-1/4"	8492
1/4-20 x 1-1/2"	8491
1/4-28 x 3/8"	8494
1/4-28 x 1/2"	8495
1/4-28 x 5/8"	8496
1/4-28 x 7/8"	8496-M
5/16-18 x 1"	8438
3/8-16 x 3/8"	8439
3/8-16 x 3/4"	8384
3/8-16 x 1-1/4"	8386
3/8-16 x 1-3/4"	8387

WASHERS, Zinc Plt. I.D. O.D. PART

Flat	3/16"	1"	8371
Flat	3/16"	1-1/4"	8372
Flat	1/4"	5/8"	8353
Flat	1/4"	1"	8373
Flat	1/4"	1-1/2"	8374
Flat	3/8"	13/16"	8370
Flat	5/8"	1"	8399
Flat, unplated	1/2"	3/4"	8304
Fender/Grommet	5/16"	1-1/4"	8317
Fender	3/8"	1-1/2"	8375
Fender	3/8"	2"	8376
Fender	1/2"	1-1/2"	8377
Fender	1/2"	2"	8378
Dust Shield	5/8"	1.76"	8305
Dust Shield	3/4"	1.76"	8301
Lockwasher-Split	5/16"		8302
Lockwasher-Split	3/8"		8306
Lockwasher-Split	1/2"		8303

COTTER PINS

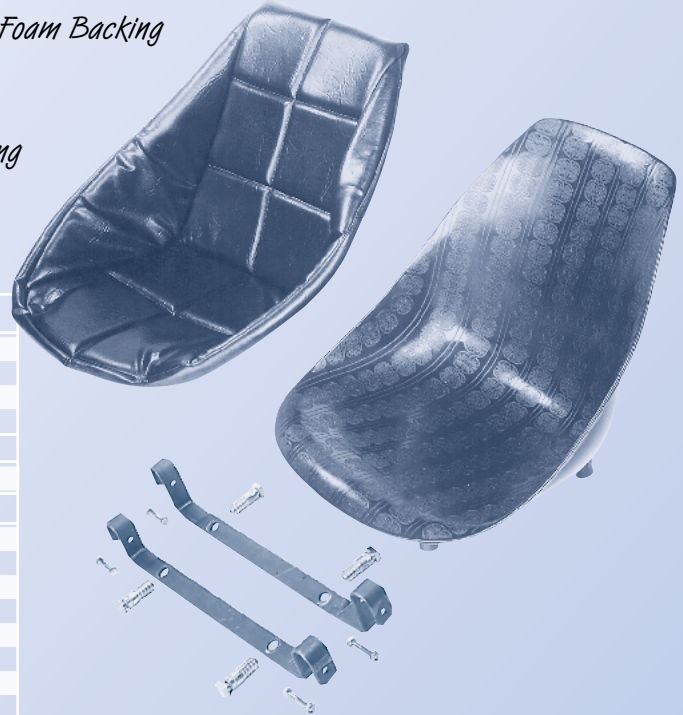
1/16"x 1/2"	8419
3/32" x 3/4"	8418



BUCKET SEATS & KITS

- Top Quality Black Vinyl Seat Covers
- w/Generous Foam Backing
- Priced Right

- Expanding Anchors for Positive Mounting
- Molded, High Impact Nylon Seat
- Reinforced Mounting Sockets



DESCRIPTION	PART
Bucket Seat Kit, Complete, with Cover	2291
Bucket Seat Kit, Complete, Less Cover	2290
Bucket Seat w/Mounting Hardware Only (no brackets)	8192
Seat Bracket Kit Only	2288
UPHOLSTERED BUCKET SEAT COVERS	
Bucket Seat Cover, Deluxe	1645
COMPONENTS	
Bucket Seat	8196
Bracket, 19-1/2" Centers	8193
Bracket, 18-1/2" Centers	8194
Bolt, 5/16-18 x 1-3/4" (4 req.)	8407
Locknut, 5/16-18 (4 req.)	8510
Anchor, Expanding (4 req.)	8461
Anchor Bolts, 1/2" x 2" (4 req.)	8462
Clamps (4 req.)	8346



DRIVER PROTECTIVE GEAR

CHEST PROTECTOR

1304-SM1
1304-SM2



ORIGINAL RIBTECT VEST



RIBTECT 4 VEST



- Sizes (Age): Sm1 (5-8), Sm2 (9-12)
- WKA, IKF & SFI 20.1 Approved
- 2 Layers Polypropylene Plastic
- Black Cordura® Nylon
- Shock-Absorbing Foam
- Adjustable Straps
- All Original Vest Features
- Improved Vest Quality

ORIGINAL RIBTECT VESTS

JUNIOR SIZES		ADULT SIZES	
Size	Azusa PN	Size	Azusa PN
28 Small	1301-28	36 Small	1311-36
30 Medium	1301-30	38 Small/Medium	1311-38
32 Large	1301-32	40 Medium	1311-40
34 Extra Large	1301-34	42 Medium/Large	1311-42
		44 Large	1311-44
		46 Extra Large	1311-46
		48 XX Large	1311-48
		50 XXX Large	1311-50

RIBTECT 4 VESTS

JUNIOR SIZES		ADULT SIZES	
Size	Azusa PN	Size	Azusa PN
28 Small	1302-28	36 Small	1312-36
30 Medium	1302-30	38 Small/Medium	1312-38
32 Large	1302-32	40 Medium	1312-40
34 Extra Large	1302-34	42 Medium/Large	1312-42
		44 Large	1312-44
		46 Extra Large	1312-46
		48 XX Large	1312-48
		50 XXX Large	1312-50

For additional size information, call us or visit ribtect.com

For additional size information, call us or visit ribtect.com

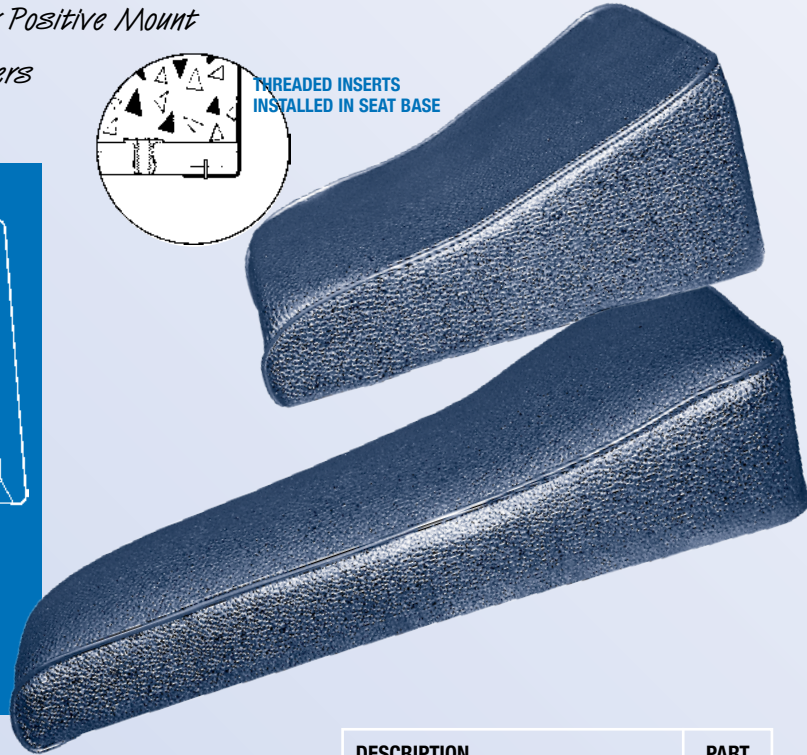
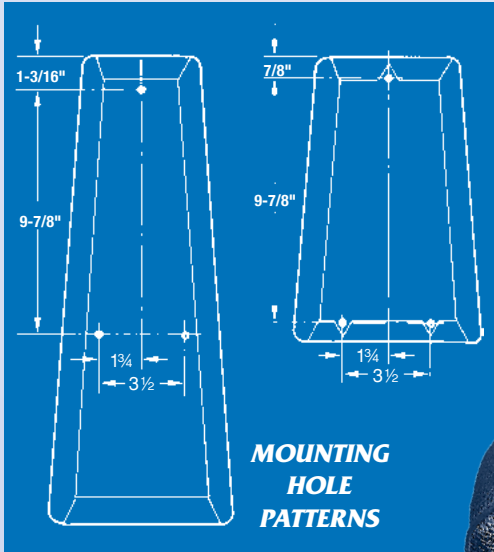


MINI-BIKE SEATS

- ✓ *Sturdy, Thick Mounting Base*
- ✓ *Dense Foam*
- ✓ *Threaded Inserts for Positive Mount*
- ✓ *High Quality Covers*



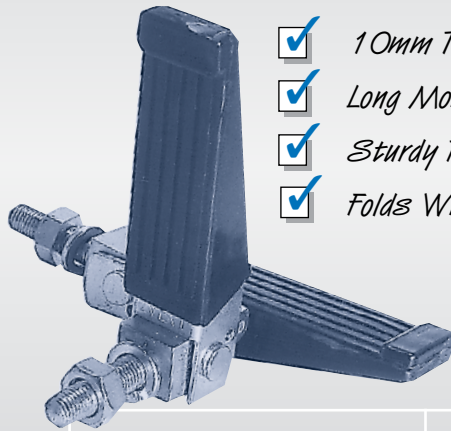
THREADED INSERTS
INSTALLED IN SEAT BASE



O.E.M.s: We can manufacture seats or covers to your specs. Please inquire with our sales department.

DESCRIPTION	PART
Mini Bike Seat, 12" Plush	1632
Mini Bike Seat, 19" Plush	1633

FOLDING FOOT PEGS

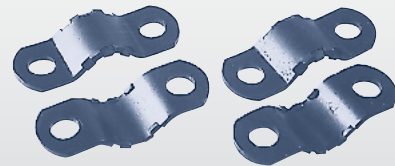


- ✓ *10mm Threads*
- ✓ *Long Mounting Studs*
- ✓ *Sturdy Rubber Treads*
- ✓ *Folds When Not In Use*

DESCRIPTION	PART
Folding Foot Pegs, Pair, Packaged	1740
Folding Foot Pegs, Pair, Bulk	1739
Folding Foot Pegs, Pair, with Clamps	2239

NON-SLIP MOUNTING CLAMPS

- ✓ *Case Hardened for Bite*
- ✓ *For 3/4", 7/8" or 1" Tubing*
- ✓ *Heavy Duty*

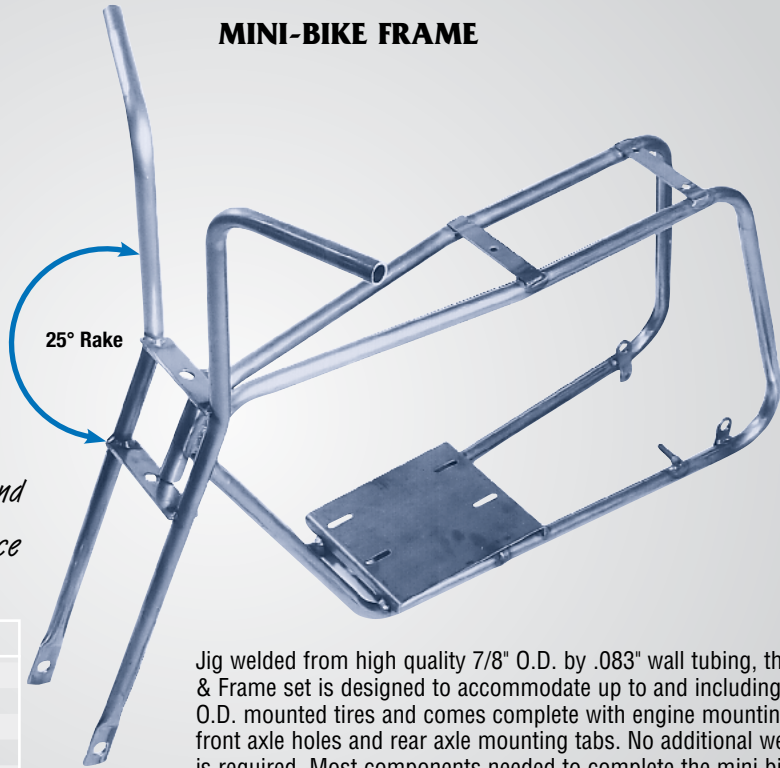


DESCRIPTION	PART
Non-Slip Clamps, Set, 4 Halves Packaged	2209
Non-Slip Clamps, Bulk (Each)	8162

MINI-BIKE FRAME and Parts Locator

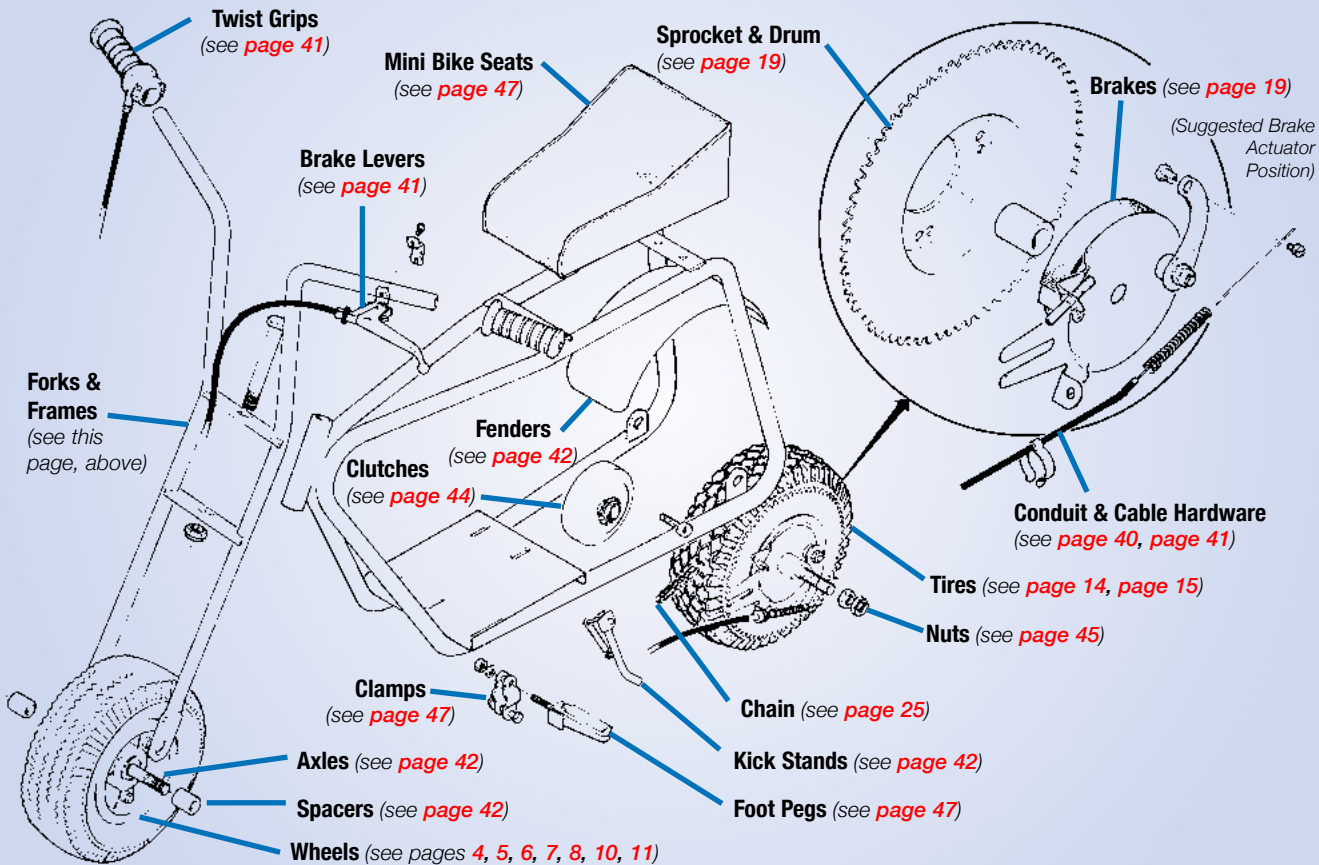
- ✓ *Rugged Construction*
- ✓ *No Welding Needed*
- ✓ *Economical, Versatile*
- ✓ *Other Components On Hand*
- ✓ *13-5/8" Engine Clearance*

DESCRIPTION	PART
Mini-Bike Frame & Fork Kit	3545
Mini-Bike Frame	3548
Mini-Bike Fork & Bolt Set	3546
<i>Includes, in addition to Fork:</i>	
Bolt - Fork to Frame, 5/8-18 x 6"	8472
Locknut, 5/8-18, Thin, Nylon Insert	8515



MINI-BIKE FRAME

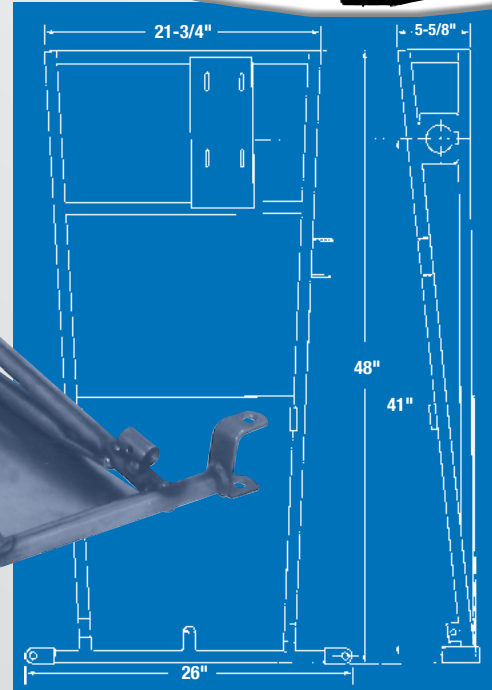
Jig welded from high quality 7/8" O.D. by .083" wall tubing, this Fork & Frame set is designed to accommodate up to and including 17.5" O.D. mounted tires and comes complete with engine mounting plate, front axle holes and rear axle mounting tabs. No additional welding is required. Most components needed to complete the mini bike are available from Azusa's shelves. Total weight with Fork: 19 pounds.



ILLUSTRATED MINI-BIKE PARTS LOCATOR

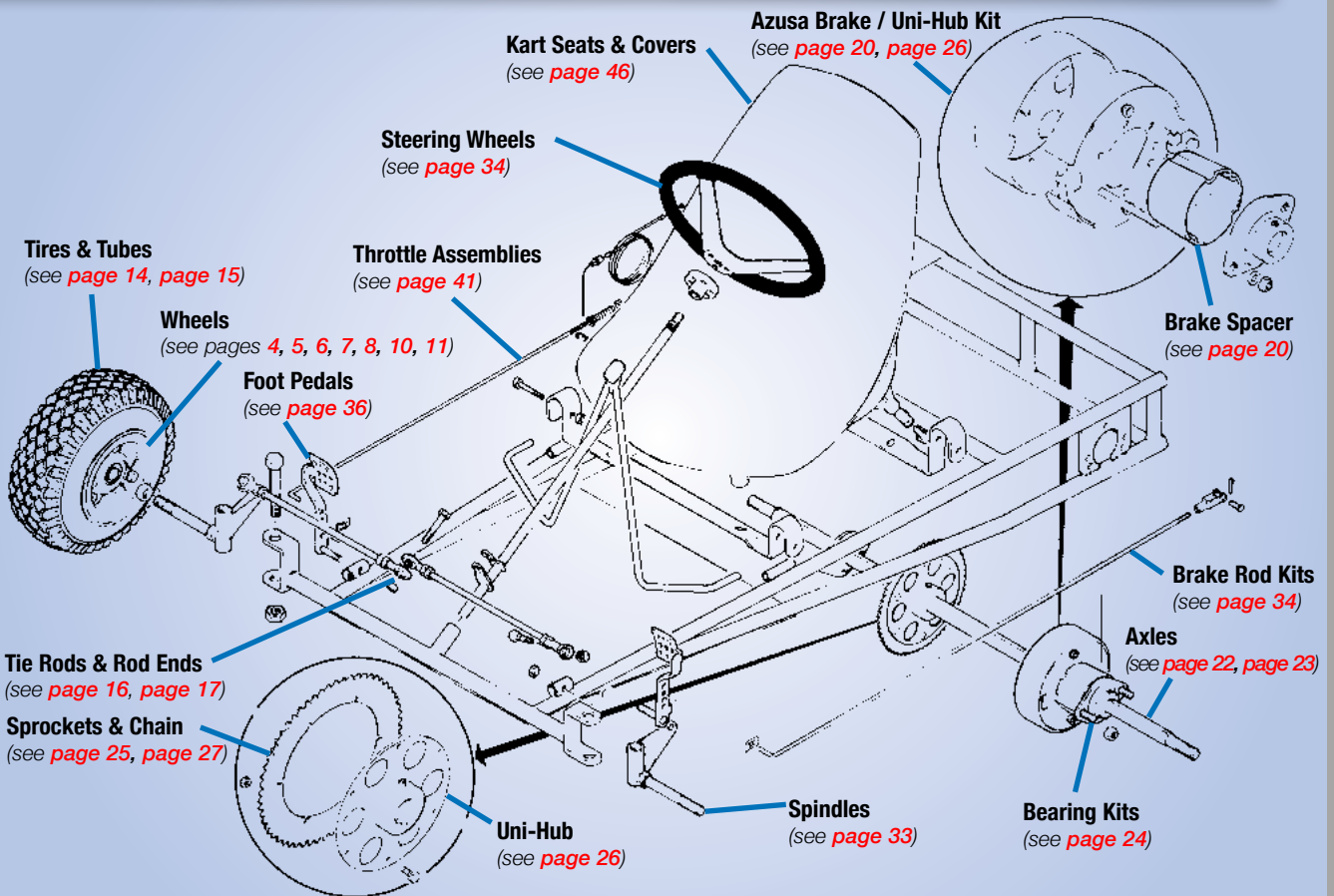
KART FRAME

This sturdy, double tube construction, high quality unit is jig-welded and made of 1" OD x .083" wall steel tubing. Comes complete with steering hoop assembly, engine mounting plate, spindle brackets, steering shaft bushing, pedal bushings, live-axle bearing hangers and control rod anchors. Well designed and rugged, the frame weighs just 31 lbs.



KART FRAME WITH STEERING HOOP #3502

- Steering Hoop Included*
- All Components in Catalog*
- No Additional Welding Needed*
- Low Cost - High Quality*



ILLUSTRATED KART PARTS LOCATOR



KART KITS

Azusa Kart Kits are compiled from the quality components in this catalog. These parts, sub-assemblies and hardware offer your customer a Kit designed to provide everything necessary to assemble a Kart - with the assurance that the parts fit, the hardware is the proper size and quantity and the weldments and sub-assemblies conform to Azusa's standards of form, fit and function. Assembly instructions and parts lists for each kit are included. We do not supply engines... and therefore we do not preselect a clutch, although we carry a complete line of clutches in this catalog.

DESCRIPTION	COMPLETE	LESS FRAME
Kart Kit with 5" Nylon Wheels	3557	3557-LF
Kart Kit with 5" Aluminum Wheels	3551	3551-LF
Kart Kit with 6" Aluminum Wheels	3552	3552-LF

(For Clutches, see [page 44](#))

MINI-BIKE KITS

Azusa offers four Mini-Bike Kits (see table for part numbers). The kits contain identical components throughout, except for wheel size and type. The tire and innertube sizes match the wheels selected. Each kit provides everything needed to assemble a complete Mini-Bike, including: Frame, Fork, Upholstered Seat, Wheels, Tires, Tubes, Controls, Grips, Foot Pegs, Axles, Sprockets, Brakes, Chain and all the necessary attaching Hardware. All Kits are less Engine and Clutch. Assembly instructions and parts list are included.

DESCRIPTION	COMPLETE	LESS FRAME
Mini-Bike Kit - 5" Aluminum Wheels	3540	3540-LF
Mini-Bike Kit - 6" Aluminum Wheels	3541	3541-LF
Mini-Bike Kit - 8" Aluminum Wheels	3542	3542-LF
Mini-Bike Kit - 10" Chrome-Plated Steel Wheels	3544	3542-LF

(For Clutches, see [page 44](#))

TERMS OF SALE & WARRANTIES

Business Hours: 7:30 a.m. - 4:30 p.m. Monday through Friday (Pacific Time)

Retail Sales: Please contact us for dealer information or visit:

www.azusaparts.com

Ordering: Order by Mail, by Phone during Business Hours, or 24 hours a day by fax or e-mail to:

Azusa Engineering, Inc.
1542 Industrial Park St.,
Covina, CA 91722-3417
(626) 967-4167
Fax: (626)-966-4071
E-mail: sales@azusaeng.com

When ordering, please specify our part number, quantity and how you may be contacted. Orders may not be canceled without our consent. If we consent to cancellation or suspension of an order, we shall be entitled to reimbursement of reasonable costs.

Minimum Order Charge: A service charge of \$3.00 will be added to invoices of less than \$25.00. This charge may be waived, at Azusa's discretion, on regular accounts where volume warrants occasional small orders.

Prices: Prices are subject to change without notice and are F.O.B. shipping point (Covina, CA); shipping charges are added to quoted prices and appear on your invoice.

Terms: Cash in advance, COD or MasterCard and Visa credit cards that have been pre-authorized by Azusa Engineering. Customers with accredited open accounts are required to pay all invoiced amounts within terms outlined on invoice. Cash in advance orders: please send money order or certified check in U.S. Funds only. Personal checks will delay order processing. California customers: please send resale tax certificate with initial order.

Delivery: We strive to give your order our immediate attention. We appreciate as much lead time as possible in order to schedule your shipment. Please specify special shipping instructions at the time of your order. Absent special instructions, we will ship your order via the quickest and most economical carrier.

COD Shipment: If COD orders have to be shipped in two or more parcels, total COD charges will be pro-rated, by content value, among the parcels. Customers who refuse and return COD orders or portions thereof are responsible for and will be billed all associated charges and may be subject to cash in advance terms on future orders.

Back Orders: We strive to carry an ample stock of every catalog item. In the event that we are temporarily out of an item, it will be placed on back order and shipped as soon as the goods are placed in our inventory unless other instructions are given by the customer.

Claims and Returned Goods: Goods may not be returned without our prior authorization. Please call for an RGA number; we may refuse to accept unauthorized returns. Claims for breakage or loss must be made directly with the carrier. Claims of defect or shortage must be made within ten days of delivery of order. Returned Goods are subject to an inspection and handling charge of 15%. Full credit or replacement will be given if there is a manufacturing defect, or an error in filling the order.

Limited Warranty On Goods Manufactured By Azusa Engineering, Inc.: Except as otherwise disclaimed in this catalog or by Azusa's other documentation, Seller warrants to the original purchaser only that goods it manufactures will be of the kind and quality described in the invoice and will be free of defects in material or workmanship for a period of 90 days from the original date of the original buyer's purchase.

After proper notification by the original purchaser as described below, and upon Seller's satisfaction that the goods have been stored, transported, installed, maintained and operated as required by Seller and in accordance with standard industry practice, Seller will, at its option, repair or replace goods that are found to Seller's satisfaction, to be non-conforming or defective in material or workmanship. Seller may refund the purchase price to the original purchaser if Seller is unable by repair or replacement to make the goods perform the function for which they, according to Seller, were designed. This warranty does not obligate Seller to bear any transportation, shipping, removal or installation charges in connection with goods covered by this warranty.

This warranty does not cover defects or costs caused by: 1) wear and tear; 2) modification, alteration, repair or service of the goods other than by Seller; 3) physical abuse to or misuse of the goods; or, 4) use of the goods other than that for which they were intended as designated by Seller.

To obtain warranty benefits the original purchaser must, within the warranty period: 1) notify Seller in writing of the particulars of the defect or failure of the goods to conform; and, 2) deliver the goods to Seller at the address listed above on this page with shipping costs to be born by purchaser.

Limited Warranty on Goods Manufactured by other than Azusa Engineering Inc.: Seller warrants that the goods manufactured by others will conform to the description stated on the invoice. Any warranty of the original manufacturer is hereby assigned and transferred to the buyer and except for the original manufacturer's warranty, if any, the goods sold hereunder are sold "AS IS."

THE ABOVE WARRANTIES ARE EXCLUSIVE, THE ONLY WARRANTIES ON ANY GOODS WHETHER MANUFACTURED BY SELLER OR OTHERS, AND ARE IN LIEU OF ANY WARRANTY OF MERCHANTABILITY OR FITNESS FOR A PARTICULAR PURPOSE. ALL WARRANTIES WHETHER EXPRESS OR IMPLIED, OTHER THAN AS STATED ABOVE ARE SPECIFICALLY EXCLUDED AND DISCLAIMED. ANY DESCRIPTION OF THE GOODS, AFFIRMATION OF FACT OR PROMISE, SAMPLE, MODEL, PHOTOGRAPH, ILLUSTRATION OR MODEL, WHETHER OR NOT IN THIS CATALOG, IS NOT A PART OF THE BASIS OF THE BARGAIN AND DOES NOT CONSTITUTE A WARRANTY THAT THE GOODS WILL CONFORM THERETO.

Limitation of Liability: Correction of defects and/or non-conformities, in the manner and for the period of time provided above, shall constitute fulfillment of all liabilities of the seller to any purchaser whether based on contract, negligence, strict tort or otherwise. The seller shall not under any circumstances be liable for any damages, whether direct, special, incidental or consequential whatsoever. The remedies set forth herein are exclusive, and the liability of Seller with respect to any contract, or anything done in connection therewith including but not limited to the performance or breach thereof, or from the manufacture, sale, delivery, resale, installation or use of any goods covered by or furnished under this contract whether arising out of contract, negligence, strict tort, or under any warranty, or otherwise, shall not, except as expressly provided herein, exceed the price of the non-conforming or defective goods upon which such liability is based. Without limiting the foregoing, no liability shall result from delay in performance or non-performance caused by circumstances beyond our control, including but not limited to acts of God, fire, flood, war, government action, accident or work stoppage.

Printers, Stenographic and Clerical Errors: In the course of doing business, errors by printers, stenographers, computer operations and clerks sometimes occur. We reserve the right to correct any such errors without penalty.